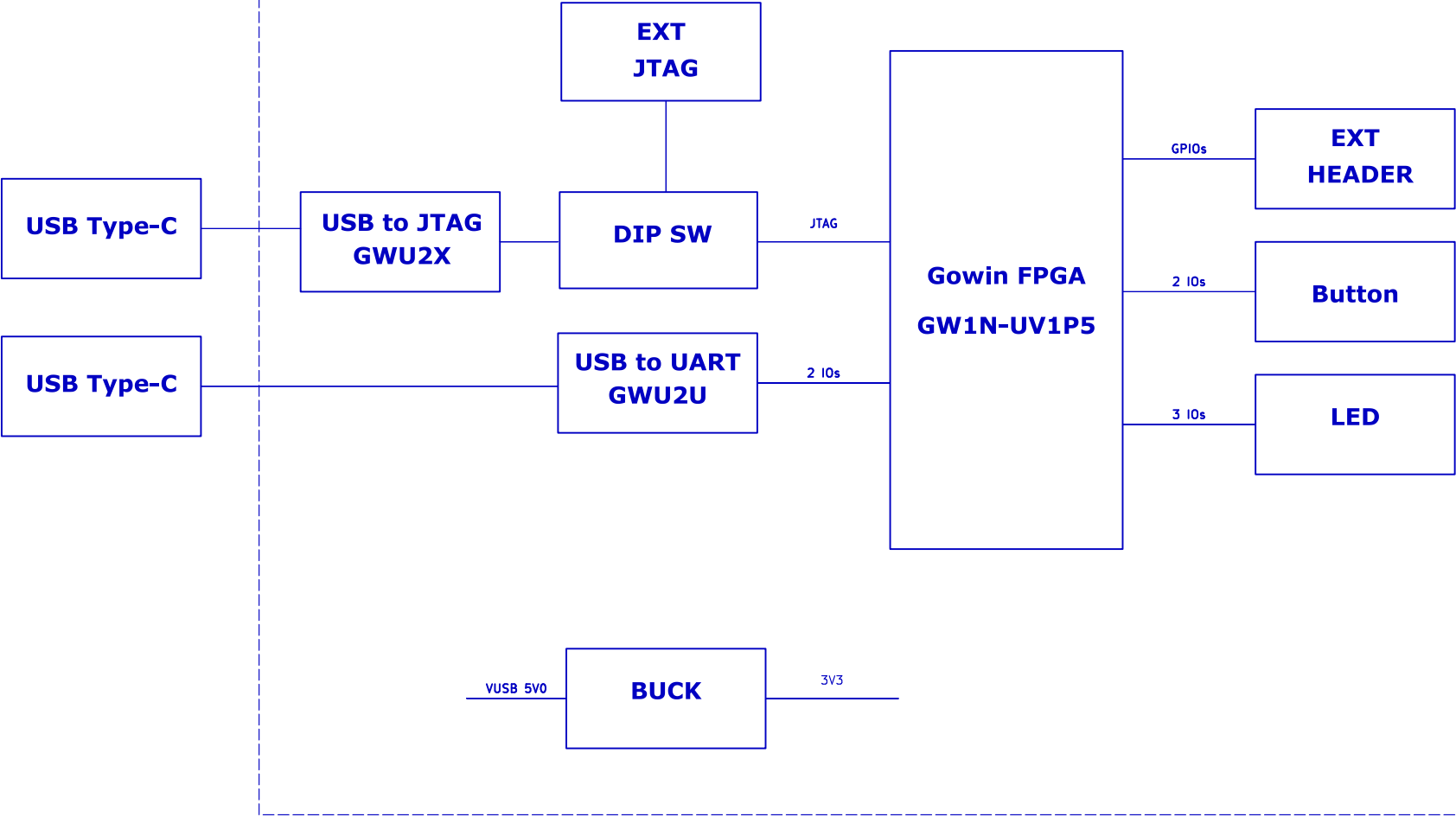
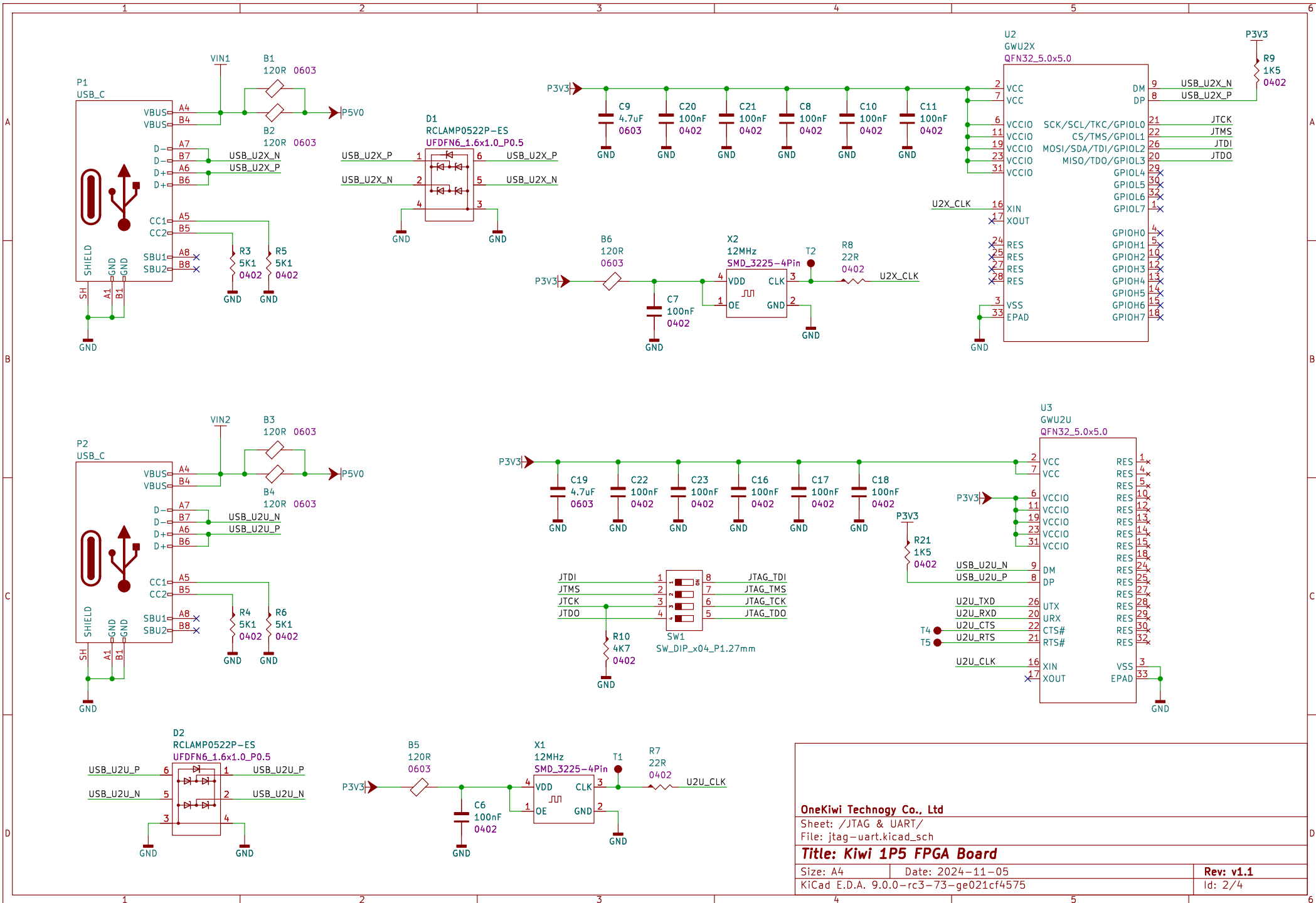


Kiwi 1P5 Board



OneKiwi Technogy Co., Ltd	
Sheet: /	
File: kiwi-nano-1k.kicad_sch	
Title: Kiwi 1P5 FPGA Board	
Size: A4	Date: 2024-11-05
KiCad E.D.A. 9.0.0-rc3-73-ge021cf4575	Rev: v1.1
	Id: 1/4



OneKiwi Technogy Co., Ltd

Sheet: /JTAG & UART/

File: jtag-uart.kicad_sch

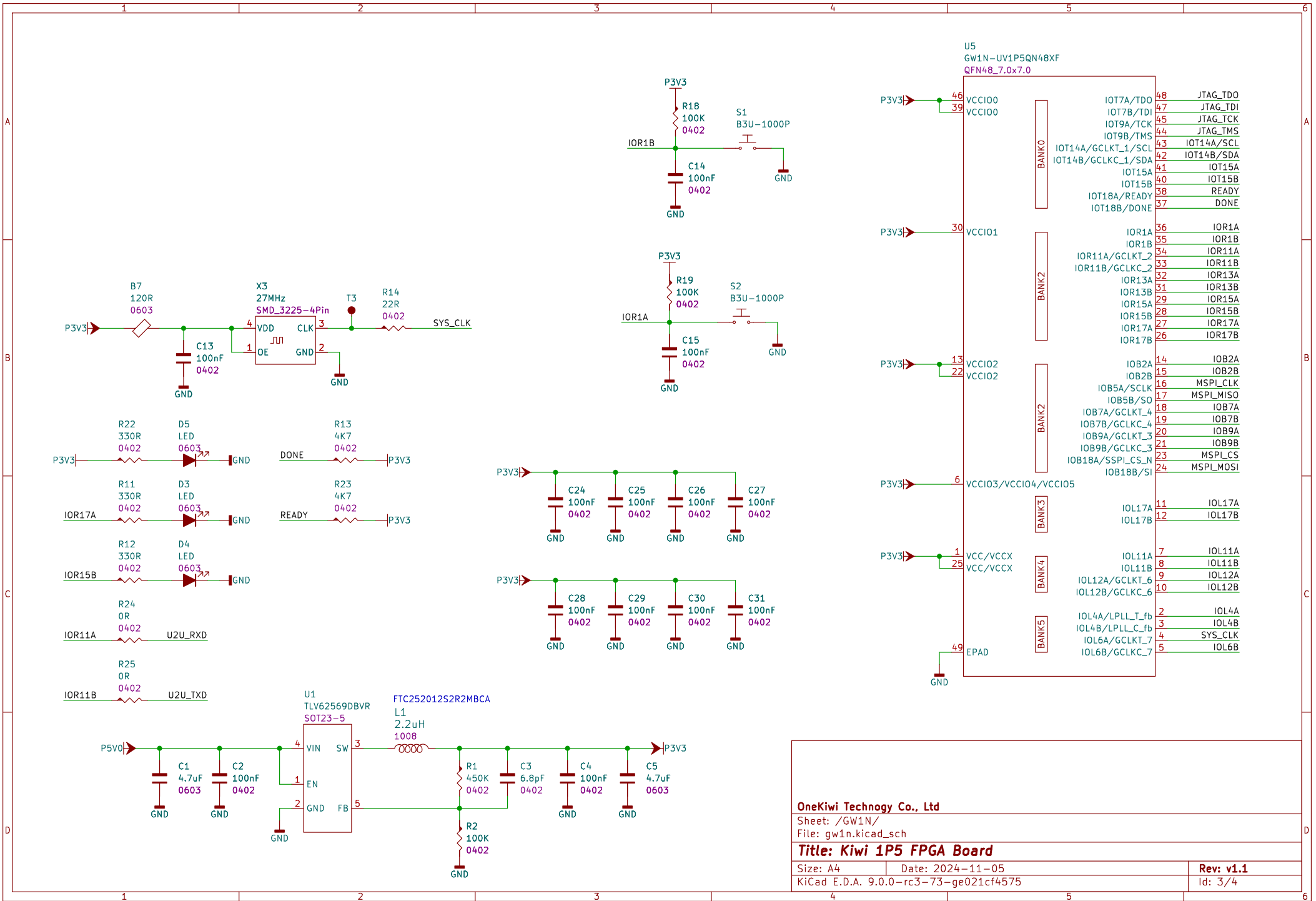
Title: Kiwi 1P5 FPGA Board

Size: A4 Date: 2024-11-05

KiCad E.D.A. 9.0.0-rc3-73-ge021cf4575

Rev: v1.1

Id: 2/4



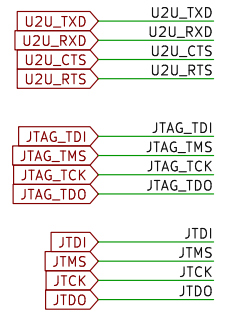
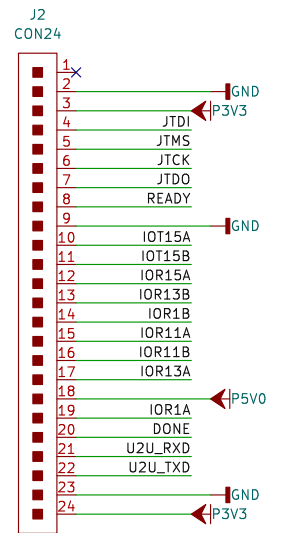
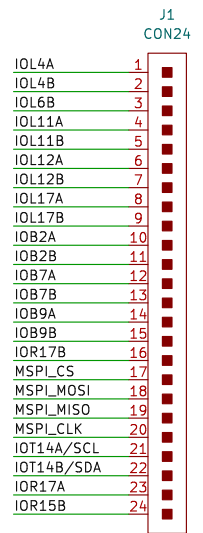
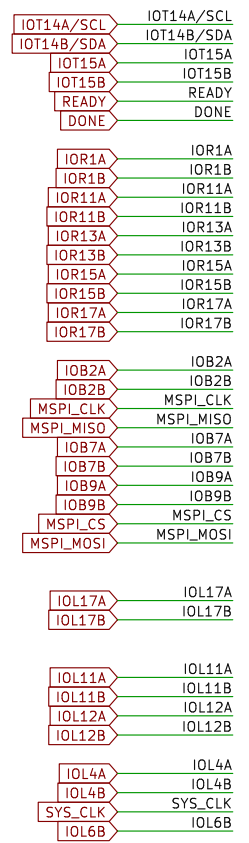
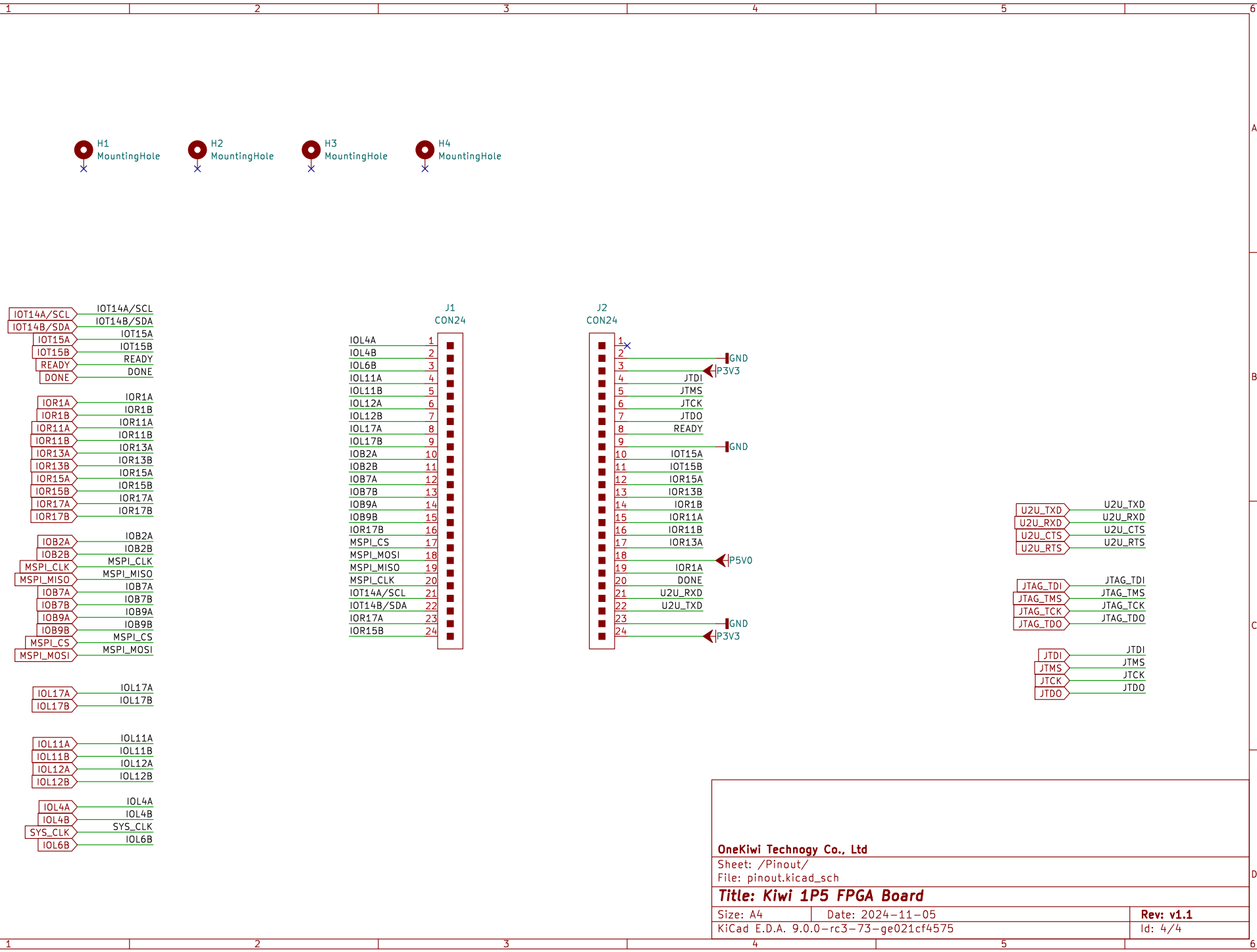
OneKiwi Technogy Co., Ltd

Sheet: /GW1N/
File: gw1n.kicad_sch

Title: Kiwi 1P5 FPGA Board

Size: A4 Date: 2024-11-05
KiCad E.D.A. 9.0.0-rc3-73-ge021cf4575

Rev: v1.1
Id: 3/4



OneKiwi Technology Co., Ltd
 Sheet: /Pinout/
 File: pinout.kicad_sch

Title: Kiwi 1P5 FPGA Board

Size: A4	Date: 2024-11-05	Rev: v1.1
KiCad E.D.A. 9.0.0-rc3-73-ge021cf4575		Id: 4/4