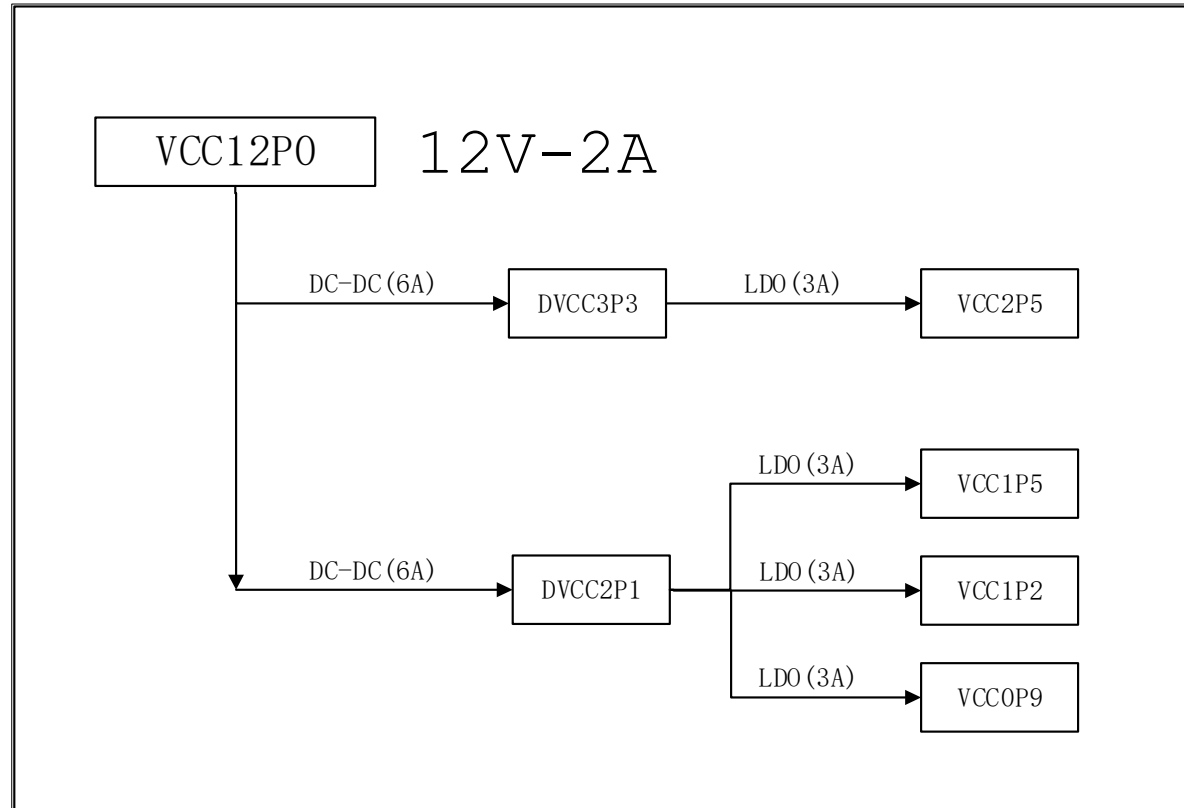



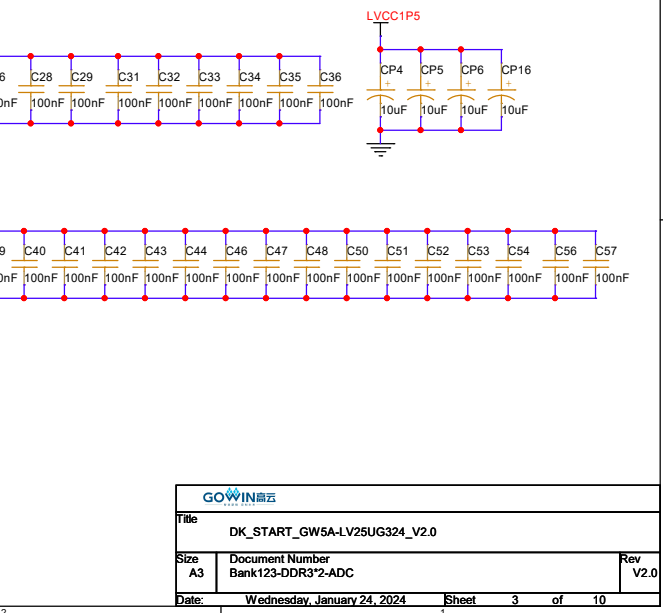
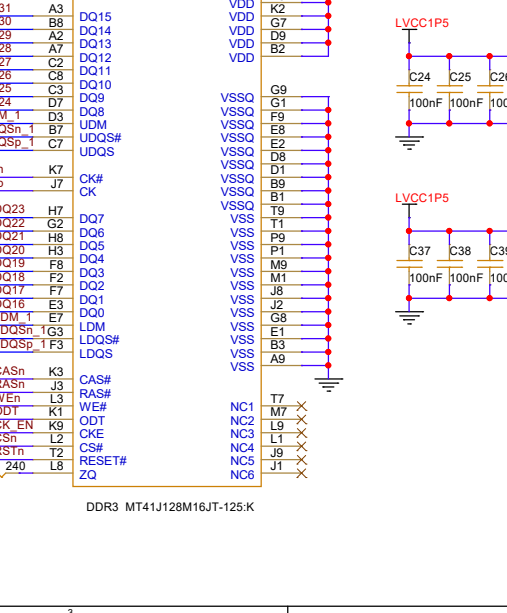
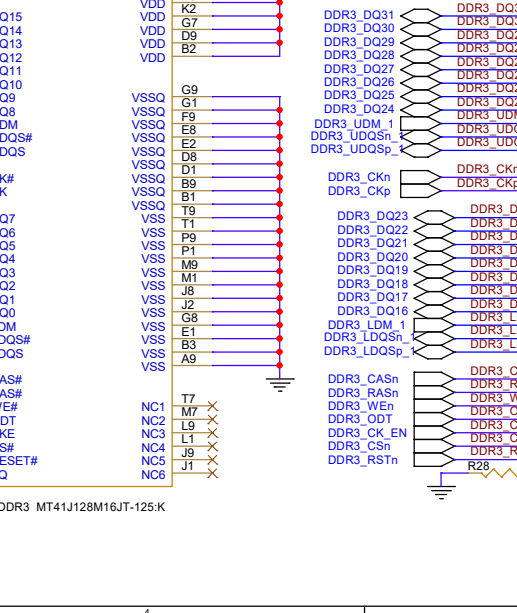
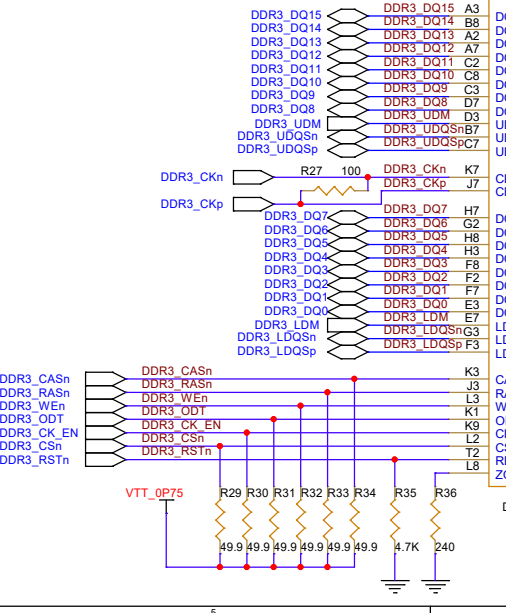
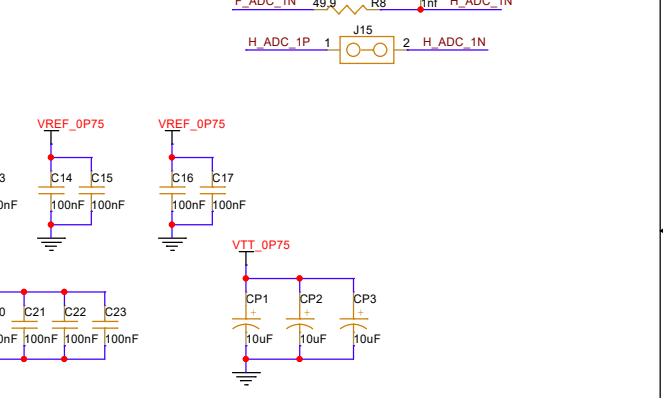
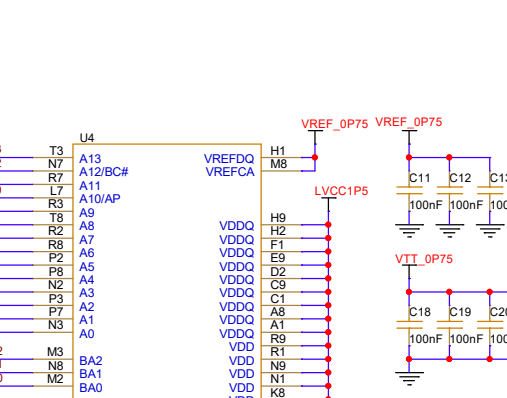
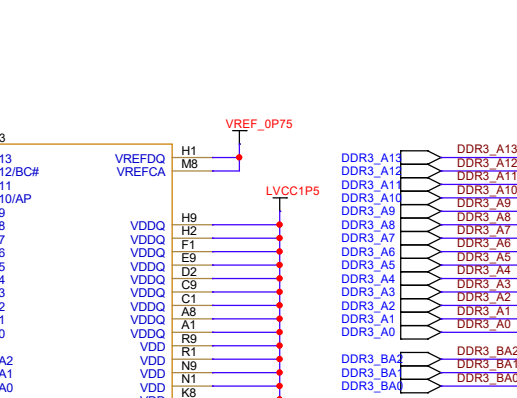
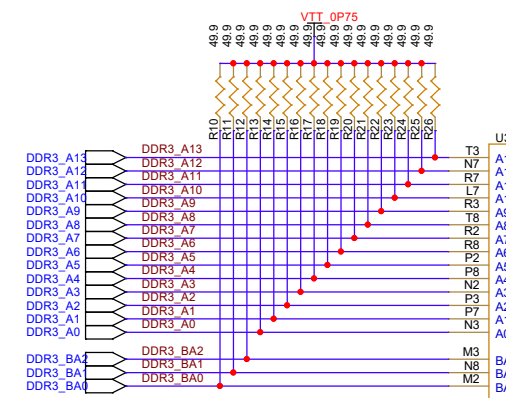
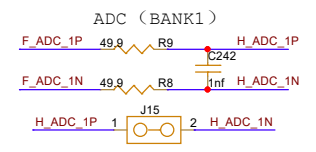
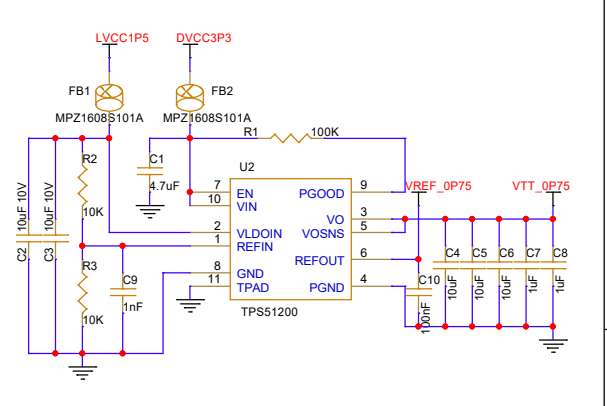
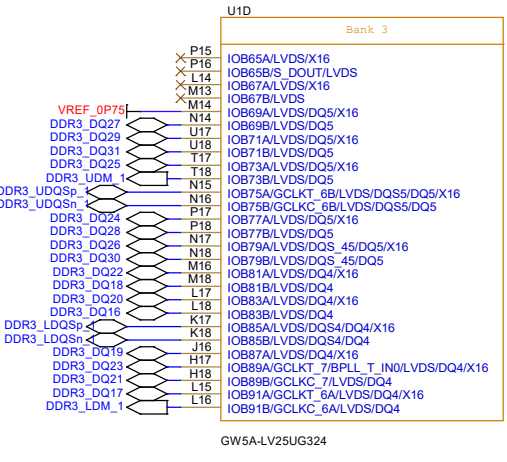
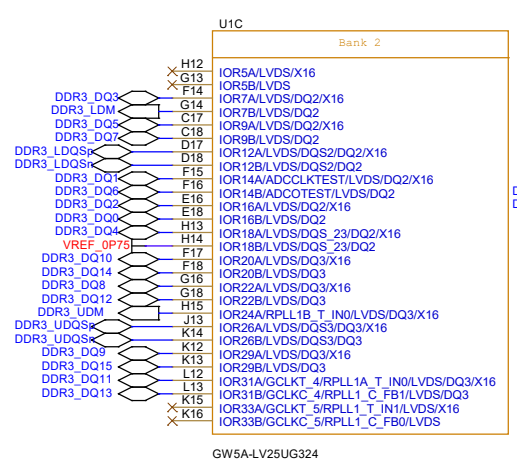
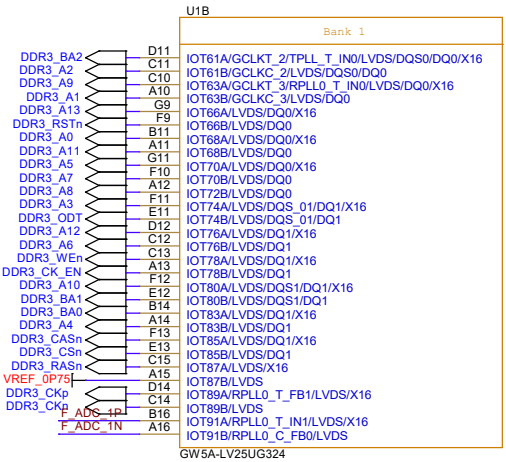
PAGE1	Block Diagram
PAGE2	POWER TREE
PAGE3	Bank123-DDR3*2-ADC
PAGE4	BANK0-4KEY-4LED
PAGE5	BANK45-HDMI-U2.0-CLK-FLASH
PAGE6	BANK67-LVDS_T/R-MIPI-GPIO
PAGE7	POWER-DCDC
PAGE8	POWER-LDO
PAGE9	BANK-POWER&JTAG

POWER TREE



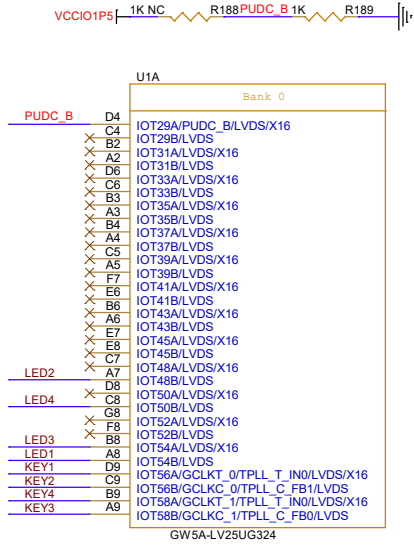
		
Title DK_START_GW5A-LV25UG324_V2.0		
Size A4	Document Number POWER TREE	Rev V2.0
Date: Wednesday, January 24, 2024	Sheet 2	of 10

DDR3*2

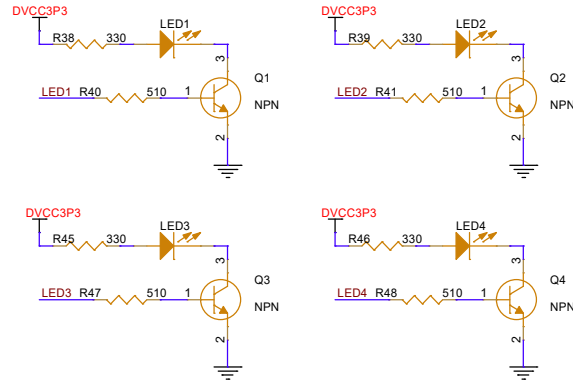


GOWIN 固纬		
Title	DK_START_GW5A-LV25UG324_V2.0	
Size	Document Number	Rev
A3	Bank123-DDR3*2-ADC	V2.0
Date:	Wednesday, January 24, 2024	Sheet 3 of 10

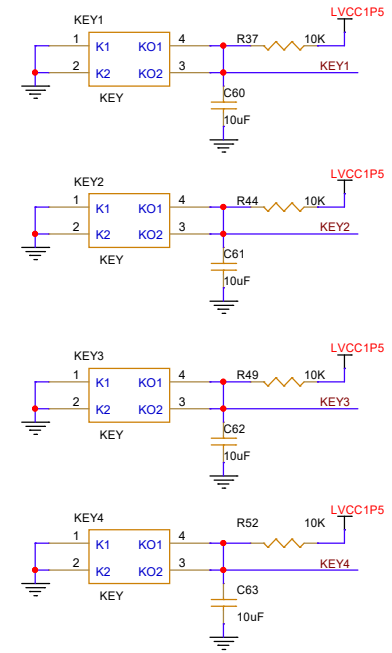
LED-KEY



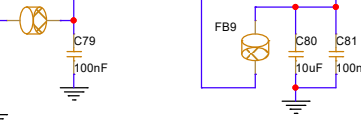
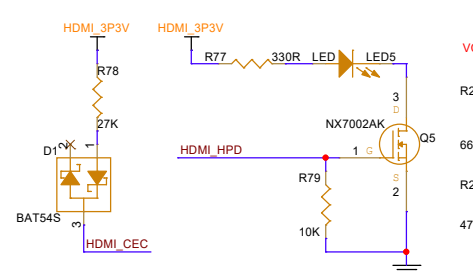
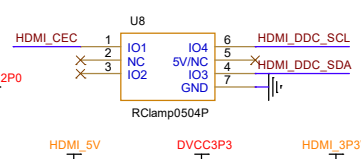
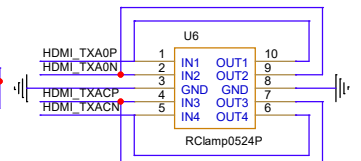
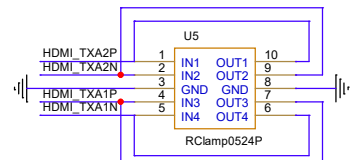
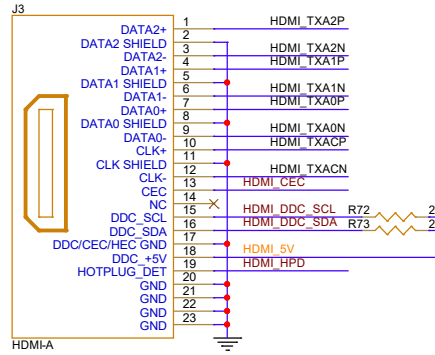
LED*4



KEY*4

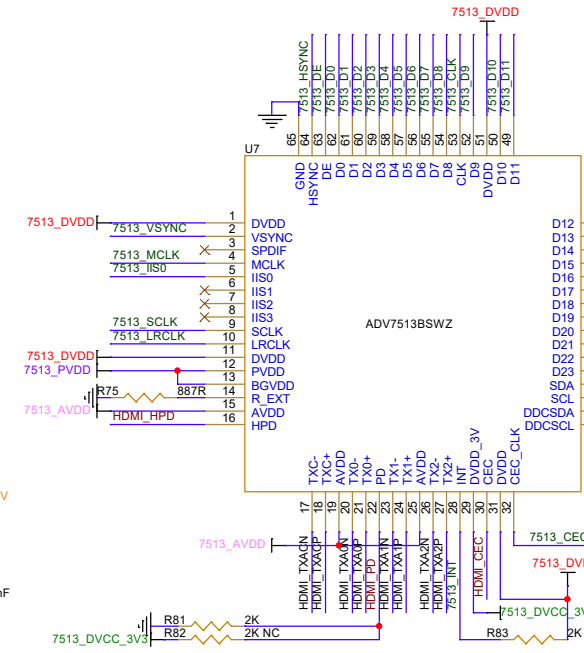


HDMI_TX



RECONFIG_N	V2	Bank 5
7513_IIS0	T4	IOB1A/S_RECONFIG
7513_HSYNC	N5	IOB2A/LVDS/X16
7513_D0	P6	IOB4A/S_D09/SDA/PLL1_T_FBO/LVDS/X16
7513_D10	R7	IOB4B/D09/SCL/LVDS
7513_D11	T7	IOB6A/LVDS/X16
7513_LRCLK	R3	IOB8B/LVDS
7513_SCLK	T3	IOB8A/S_D05/SSPI_SO/SSI1/LVDS/X16
7513_D3	U5	IOB8B/S_D06/LVDS
7513_D4	V5	IOB10A/S_D03/SSPI_CS_N/LVDS/X16
7513_MCLK	R5	IOB10B/S_D04/SSPI_SI/SSI0/LVDS
7513_VSYNC	T5	IOB12A/GCLK_10B/S_D07/SSPI_WPN/SSI2/LVDS/X16
7513_D1	N6	IOB12B/GCLK_10B/S_RDWR_B/PLL1_C_IN1/LVDS
7513_D1	N6	IOB14A/SSPI_CLK/LVDS/X16
7513_D9	T6	IOB14B/SSPI_HOLDN/SSI3/LVDS
7513_D5	V6	IOB16A/LVDS/X16
7513_D12	P8	IOB16B/LVDS
7513_D6	U7	IOB20A/LVDS/X16
7513_D7	V7	IOB18B/LVDS
7513_D8	U8	IOB20B/LVDS
7513_CLK	V8	IOB22A/LVDS/X16
7513_D2	M8	IOB22B/LVDS
7513_D13	N8	IOB24A/LVDS/X16
7513_D15	M10	IOB24B/LVDS
7513_D14	N9	IOB28A/GCLK_12/LVDS/X16
		IOB28B/GCLK_12/LVDS

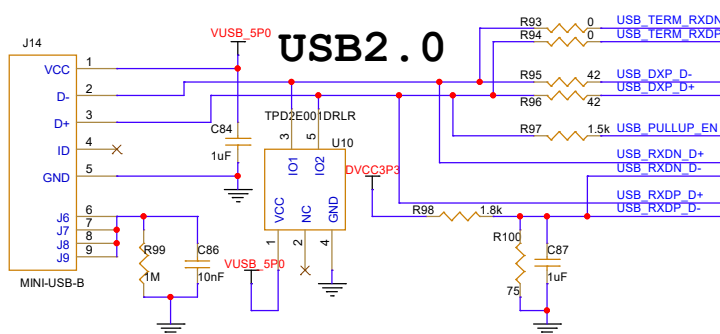
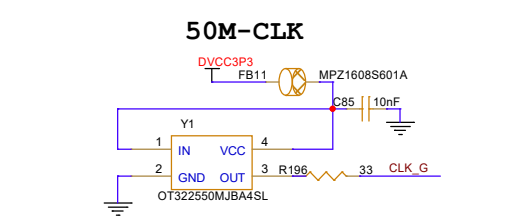
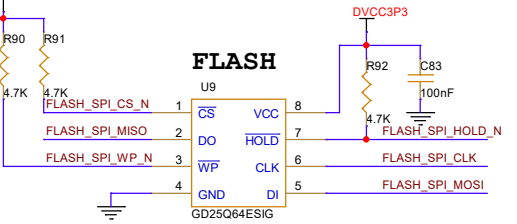
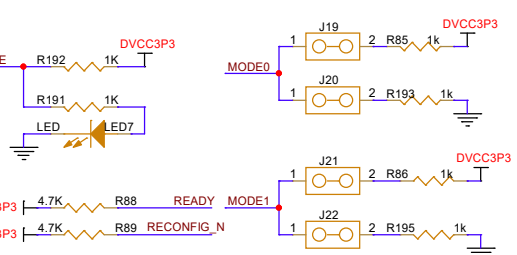
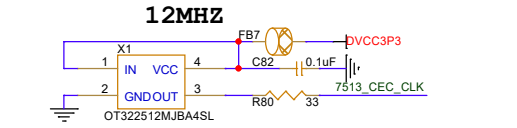
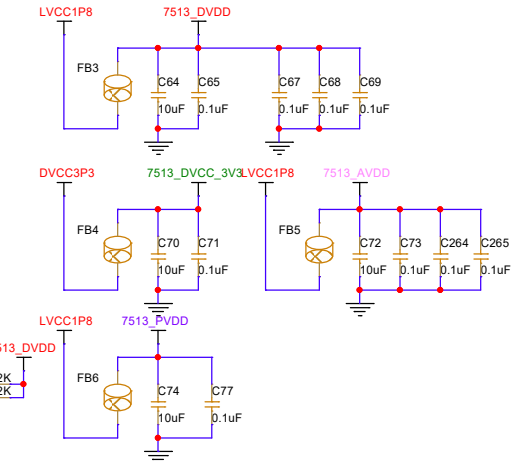
GW5A-LV25UG324



CLK_G	T9	Bank 4
	V9	IOB29A/GCLKT_11A/LVDS/X16
	X8	IOB29B/GCLKC_11A/LVDS
	T8	IOB31A/GCLKT_10A/D14/LVDS/X16
USB_DXP_D+	X10	IOB31B/GCLKC_10A/S_D15/BPLL_C_FBO/LVDS
USB_DXP_D-	V10	IOB33A/GCLKT_9/D13/BPLL_T_IN1/LVDS/X16
USB_RXDN_D+	R10	IOB33B/GCLKC_9/S_EMCLK/LVDS
USB_RXDN_D-	T10	IOB35A/GCLKT_8/LVDS/X16
READY	U3	IOB35B/GCLKC_8/LVDS
FLASH_SPI_CS_N	V3	IOB37A/S_READY/LVDS/X16
USB_RXDP_D+	U11	IOB37B/S_MCS/MS_CS0_B/LVDS
USB_TERM_RXDP	N10	IOB39A/LVDS/X16
USB_TERM_RXDN	P11	IOB41B/LVDS
USB_PULLUP_EN	T12	IOB43A/LVDS/X16
7513_D17	V12	IOB43B/LVDS
7513_SCL	R11	IOB45A/LVDS/X16
7513_INT	T11	IOB45B/LVDS
7513_D16	M11	IOB48B/LVDS
7513_SDA	N11	IOB50A/D11/LVDS/X16
7513_D19	U13	IOB50B/D12/LVDS
7513_D18	V13	IOB52A/S_MODE1/LVDS/X16
MODE1	N12	IOB52B/D10/LVDS
FLASH_SPI_WP_N	X12	IOB54A/GCLKT_11B/S_D01/MO2/LVDS/X16
FLASH_SPI_HOLD_N	T14	IOB54B/GCLKC_11B/S_D02/MO3/BPLL_C_FB1/LVDS
7513_D21	U14	IOB56A/LVDS/X16
7513_D20	V15	IOB56B/LVDS
FLASH_SPI_MISO	R13	IOB58A/D00/DIN/MISO/MO1/LVDS/X16
FLASH_SPI_MOSI	T13	IOB58B/S_MOSI/S_MSO0/S_CS1_B/LVDS
7513_D23	U16	IOB60A/LVDS/X16
7513_D22	V16	IOB60B/LVDS
FLASH_SPI_CLK	R15	IOB62A/CCLK/LVDS/X16
MODE0	T15	IOB62B/S_MODE0/LVDS
DONE	V17	IOB64A/S_DONE

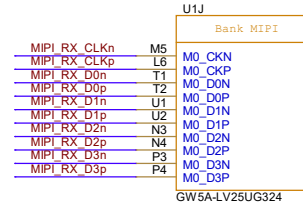
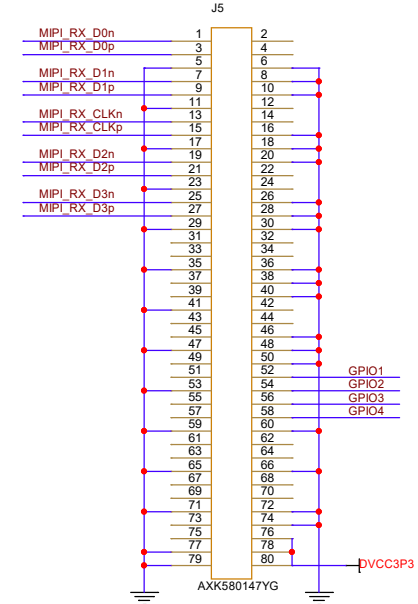
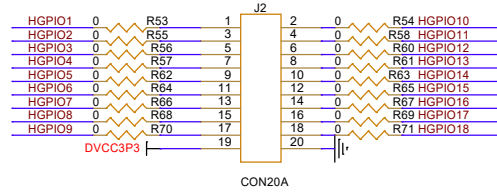
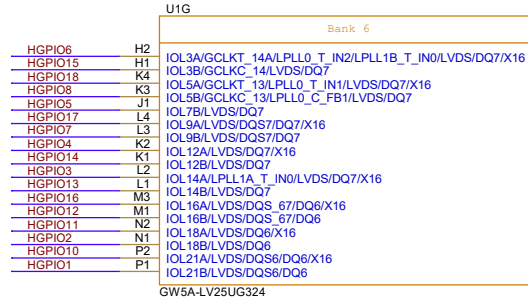
GW5A-LV25UG324

CONFIG 01

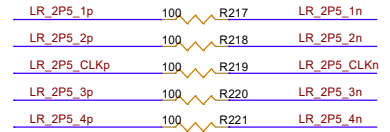
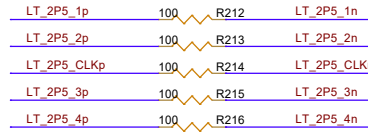
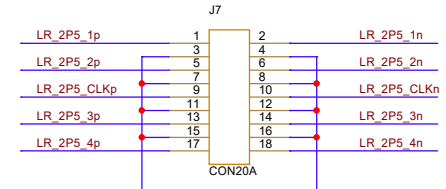
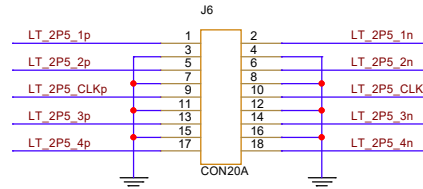
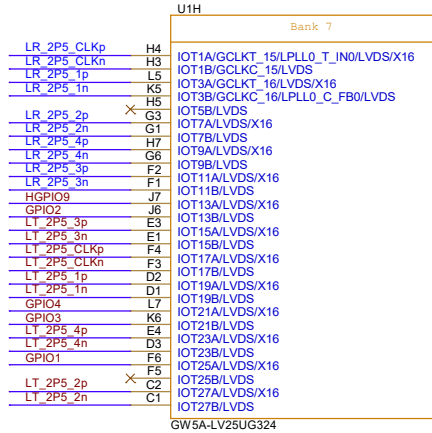


USB2.0

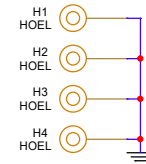
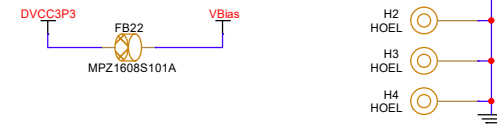
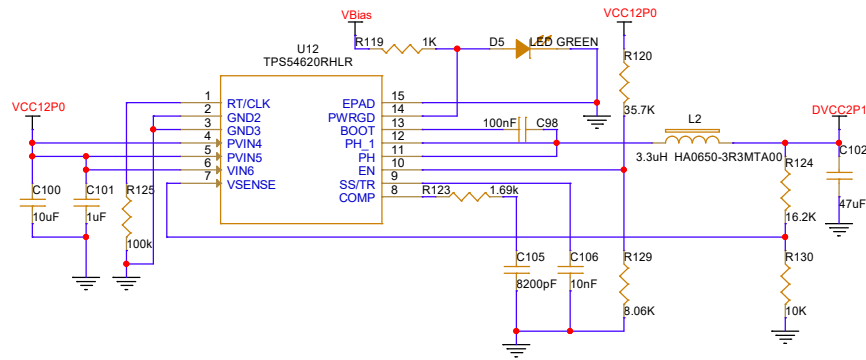
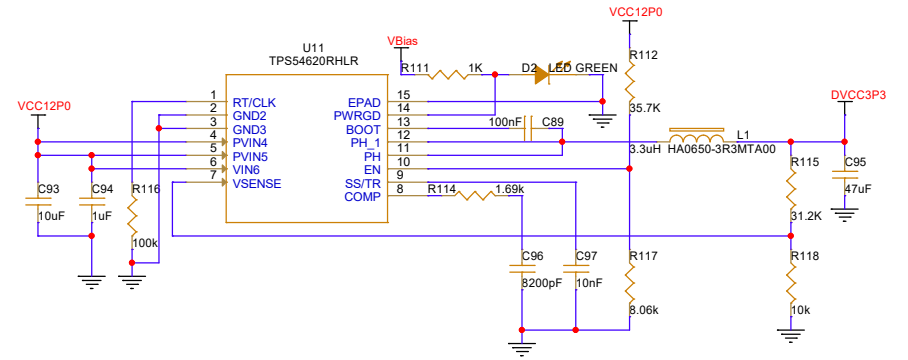
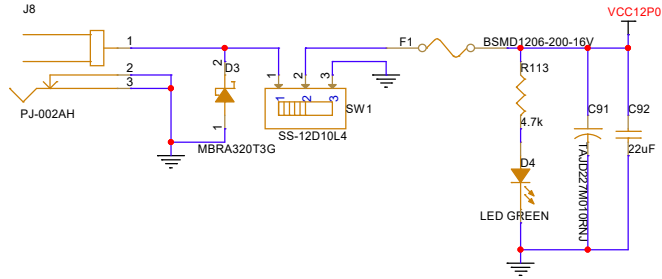
2.5V IO



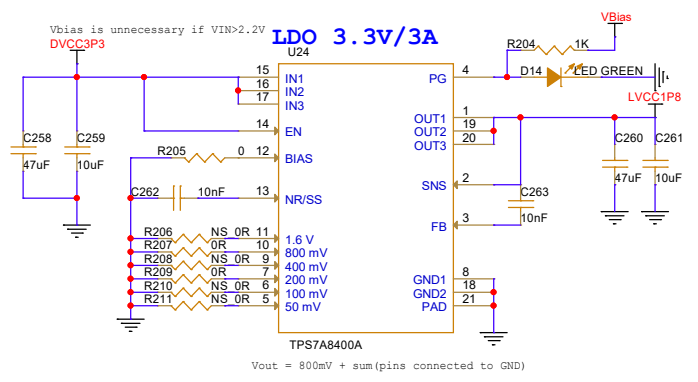
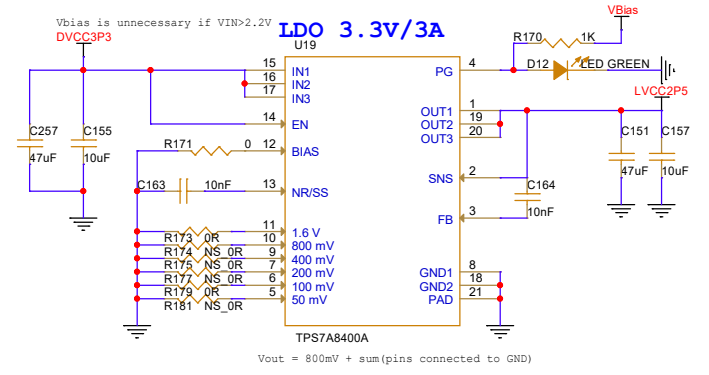
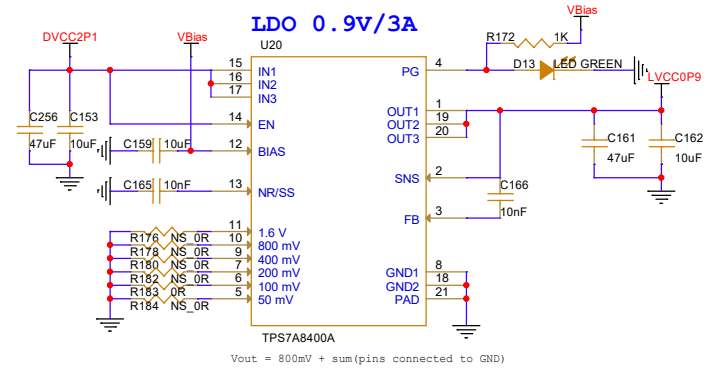
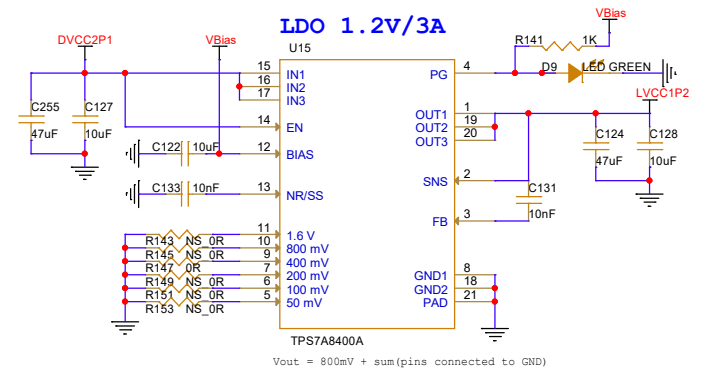
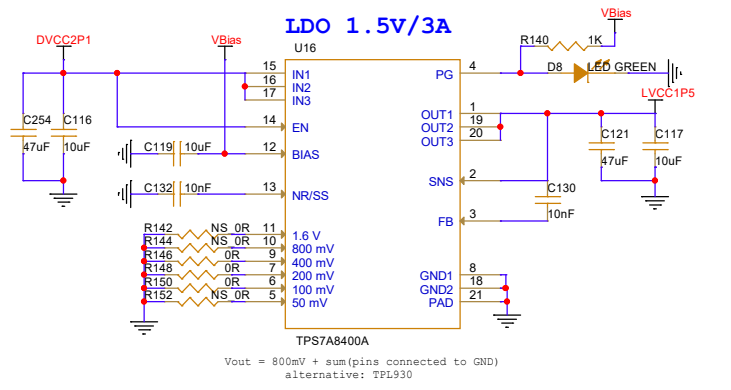
LVDS TX/RX



DC-DC

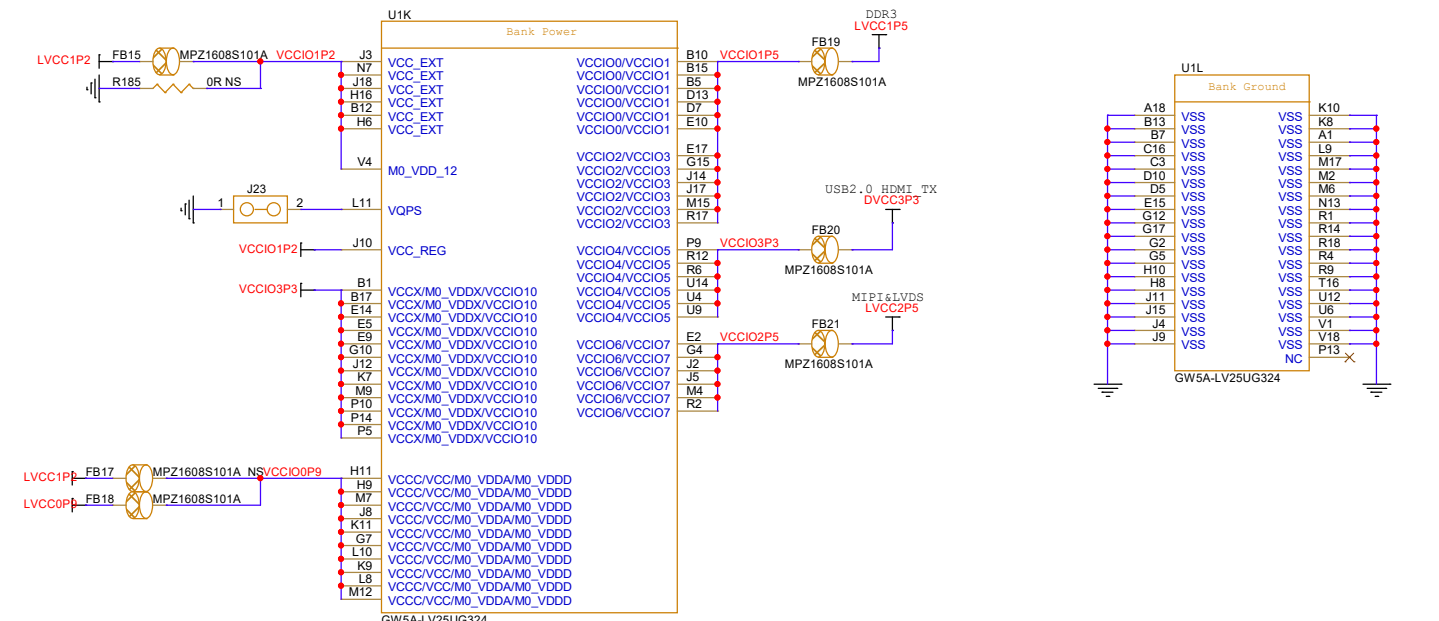


LDO



GOWIN 芯云		
Title	DK_START_GW5A-LV25UG324_V2.0	
Size	Document Number	Rev
A3	POWER-LDO	V2.0
Date:	Wednesday, January 24, 2024	Sheet 8 of 10

FPGA-POWER



Title		
DK_START_GW5A-LV25UG324_V2.0		
Size	Document Number	Rev
A3	BANK-POWER&JTAG	V2.0
Date:	Wednesday, January 24, 2024	Sheet 9 of 10

USB to JTAG

