

5

4

3

2

1

D

D

C

C

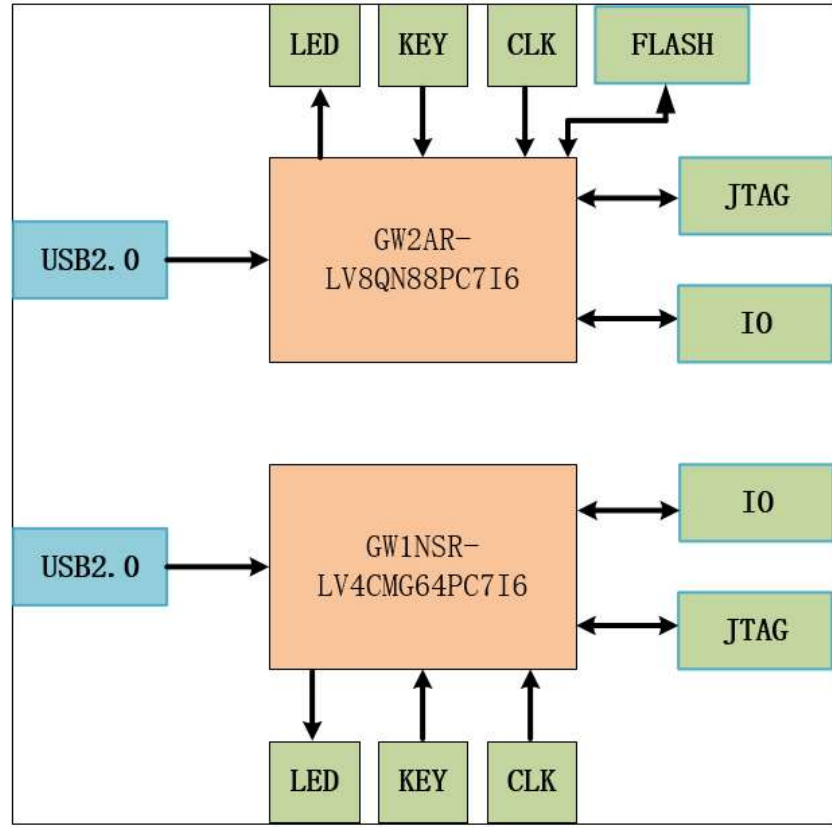
B

B

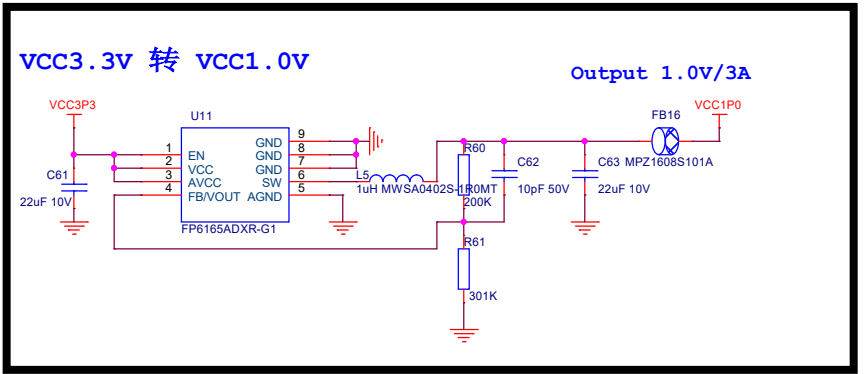
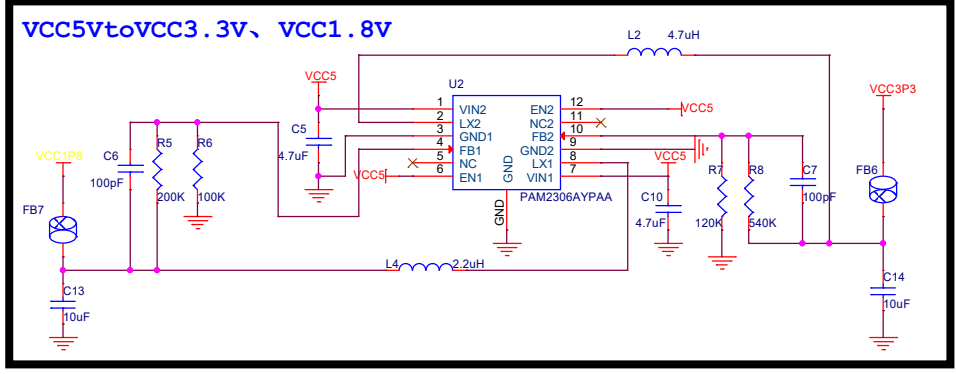
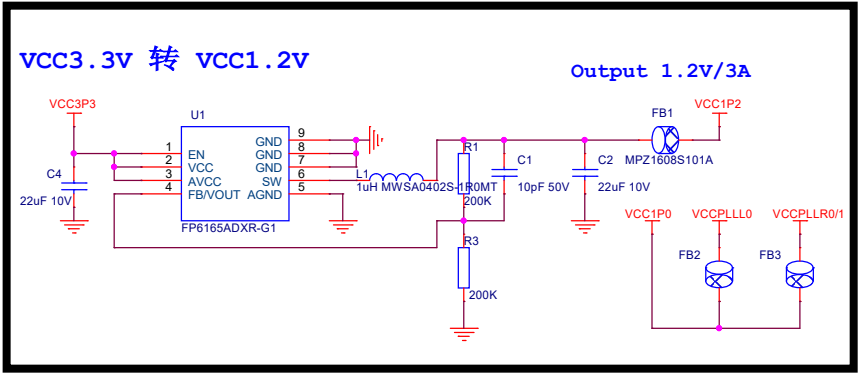
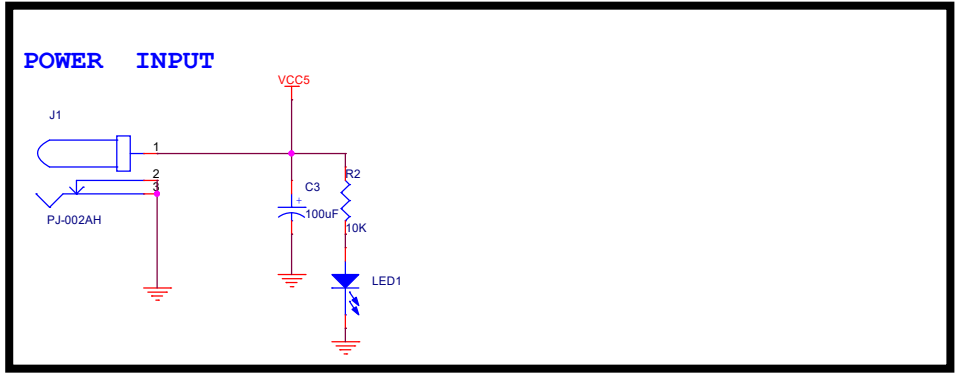
A

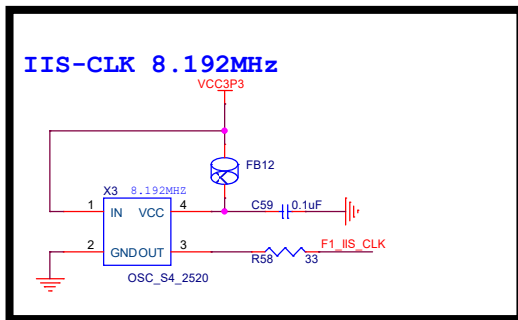
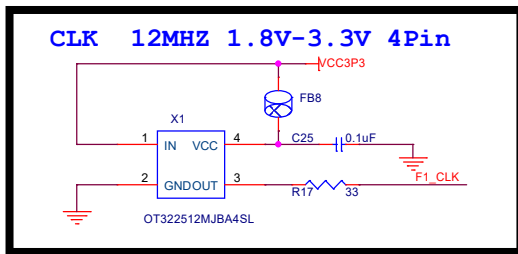
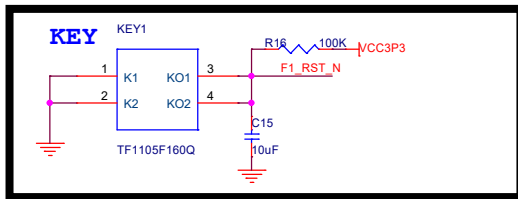
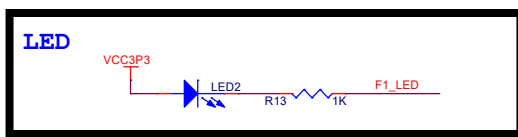
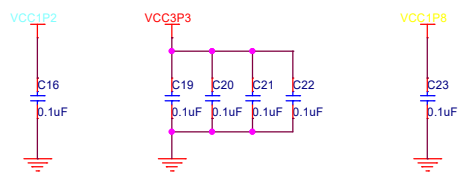
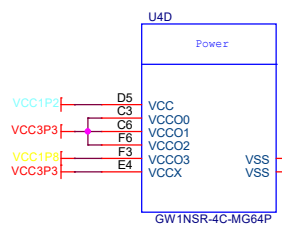
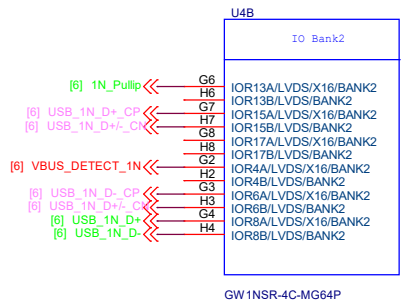
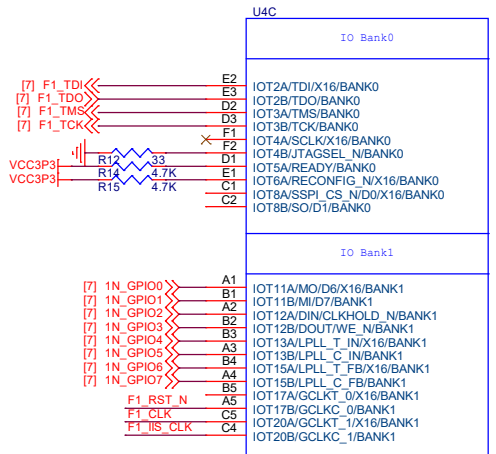
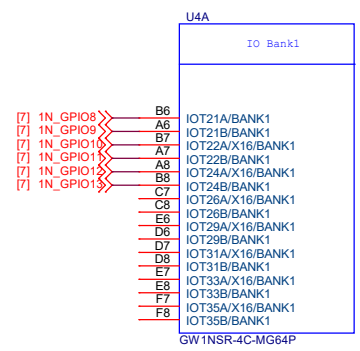
A

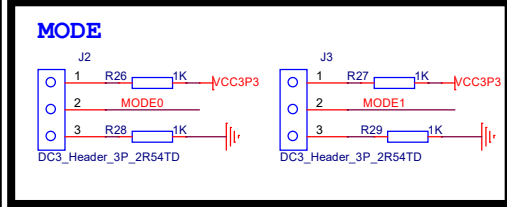
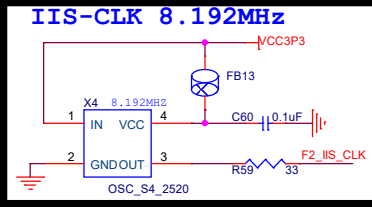
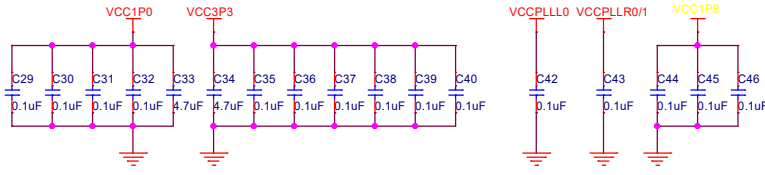
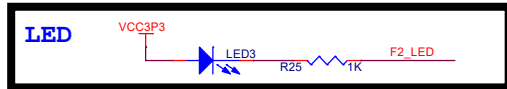
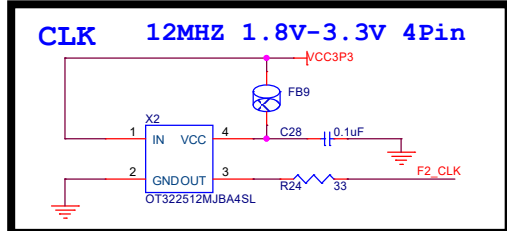
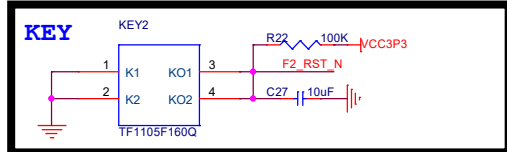
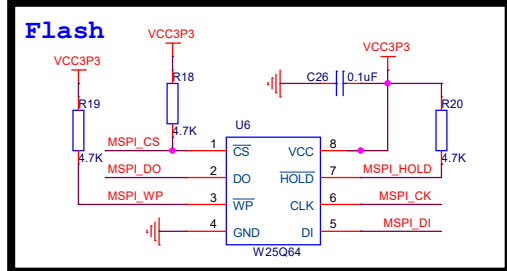
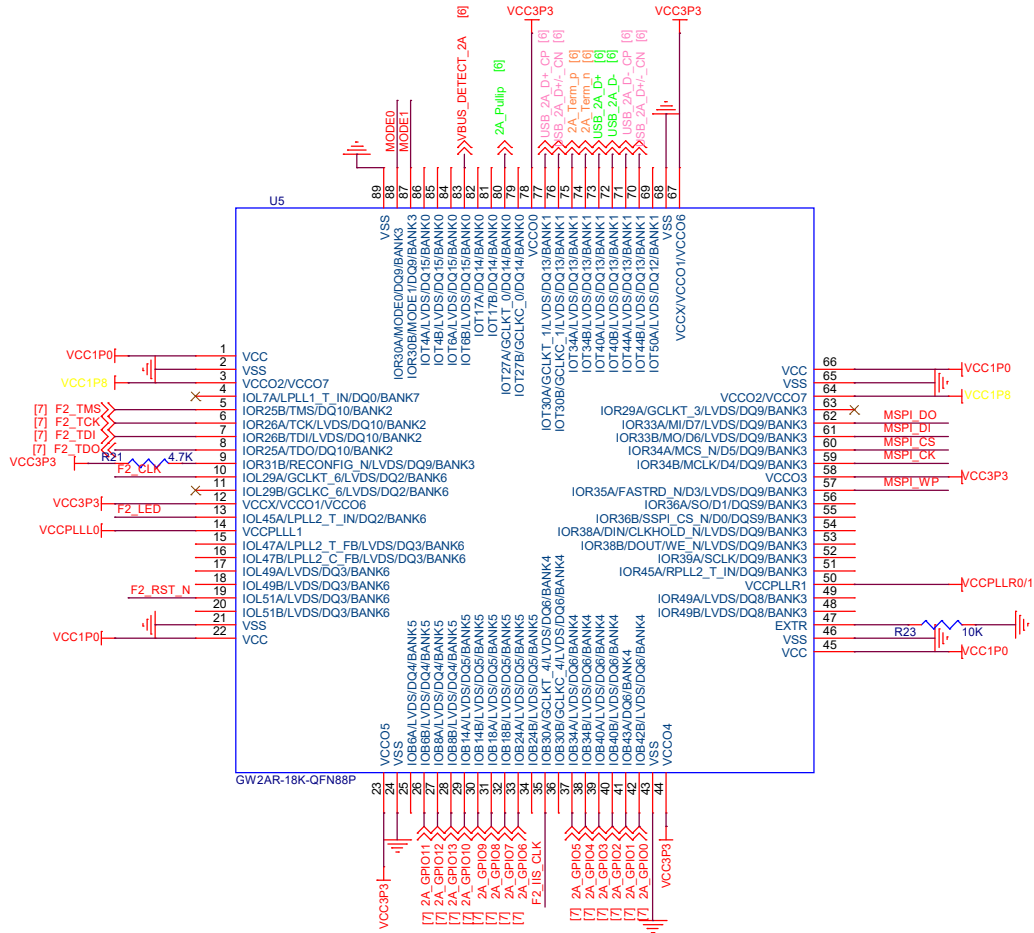
SCHEMATIC	CONTENT	PAGE
PAGE0	COVER PAGE	1
PAGE1	SYSTEM DIAGRAM	2
PAGE2	DC5V to 3.3V,2.5V,1.8V,1.2V,1.0V	3
PAGE3	GW1NSR-LV4CMG64PC7I6	4
PAGE4	GW2AR-LV18QN88PC8I7	5
PAGE5	USB2.0	6
PAGE6	JTAG,GPIO	7



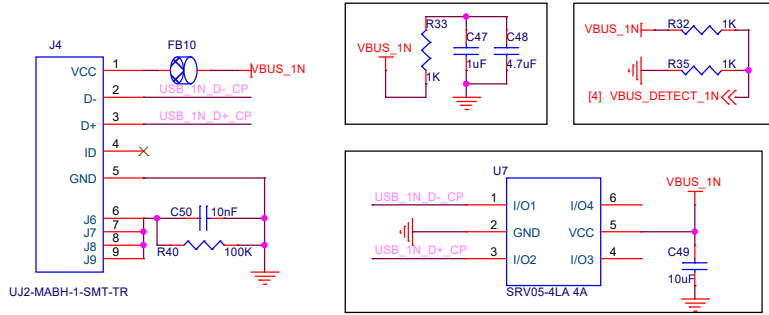
POWER DC5V to 3.3V, 1.8V, 1.2V, 1.0V



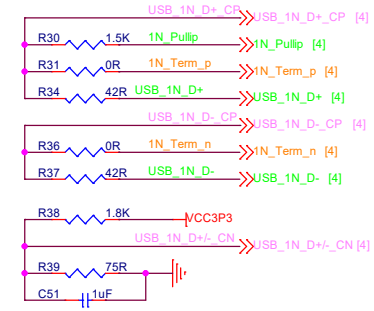




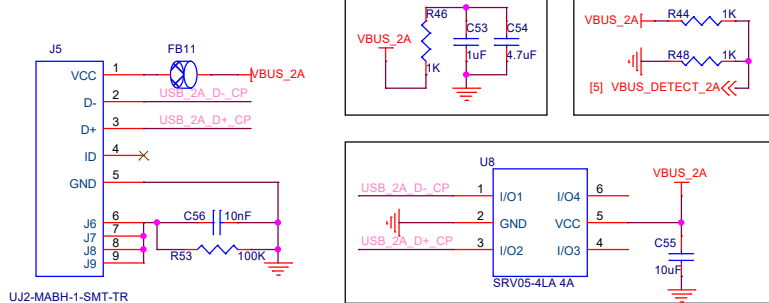
### USB-1N



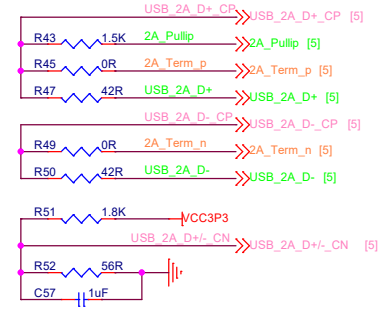
### USB-RC-1N

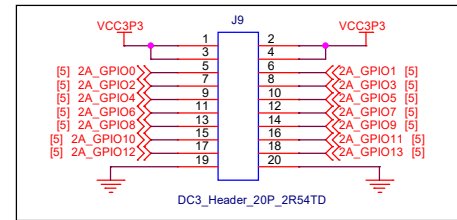
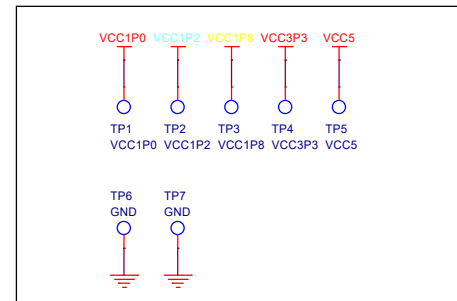
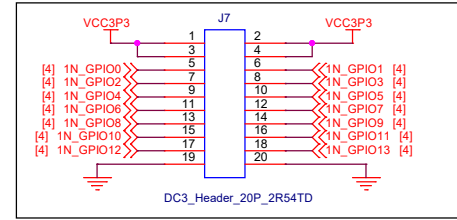
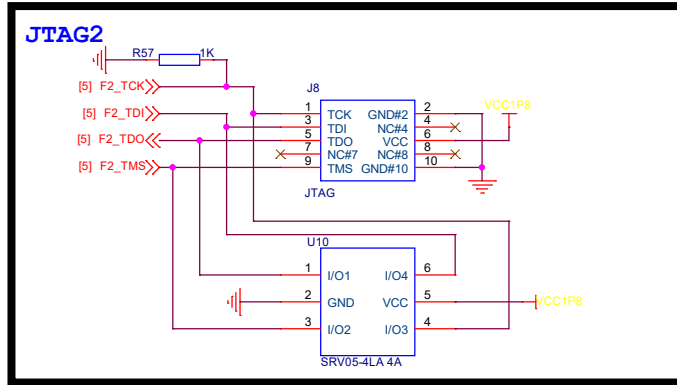
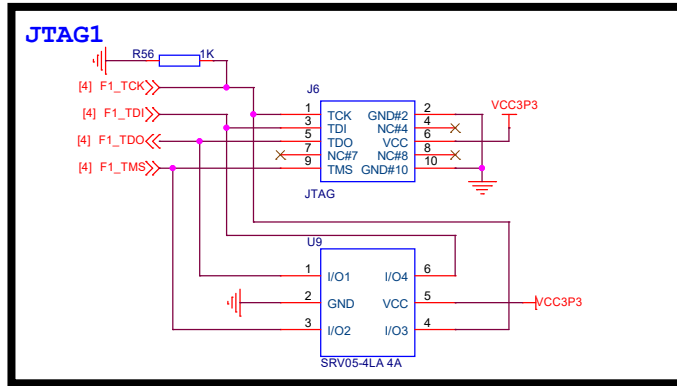


### USB-2A



### USB-RC-2A





Title		
DK_USB2_0_GW2AR-LV18QN88PC8I7_GW1NSR-LV4CMG64PC7I6		
Size	Document Number	Rev
A3	JTAG,GPIO	V3.0
Date:	Wednesday, April 06, 2022	Sheet 7 of 7