

D

D

C

C

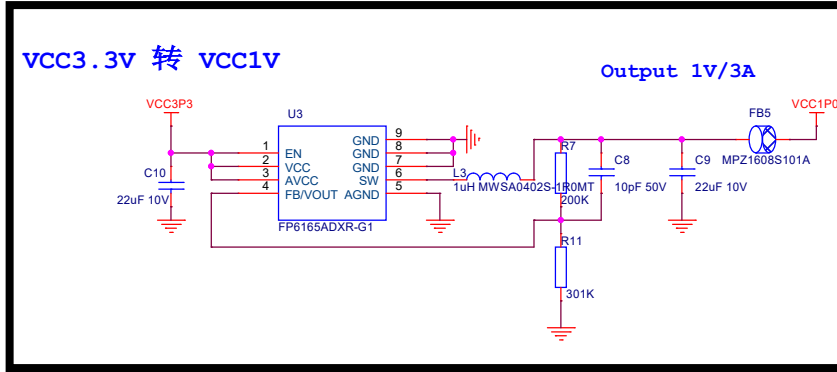
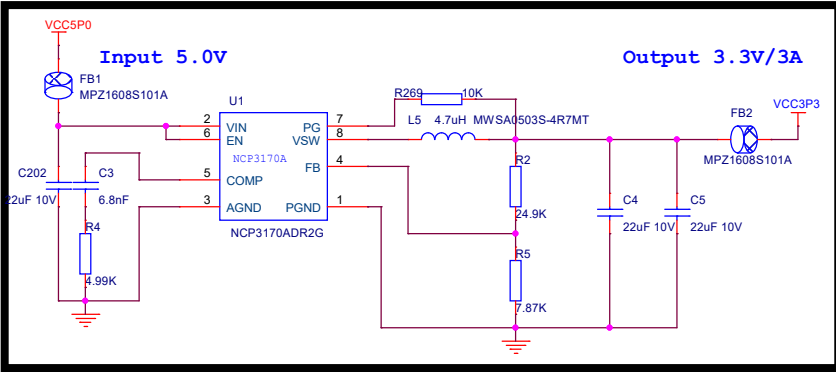
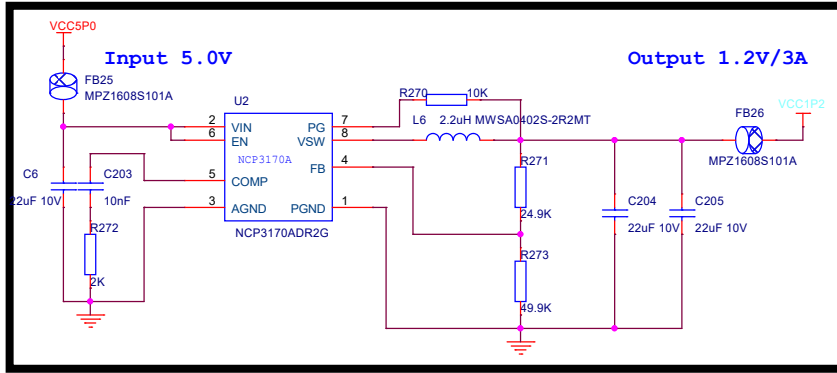
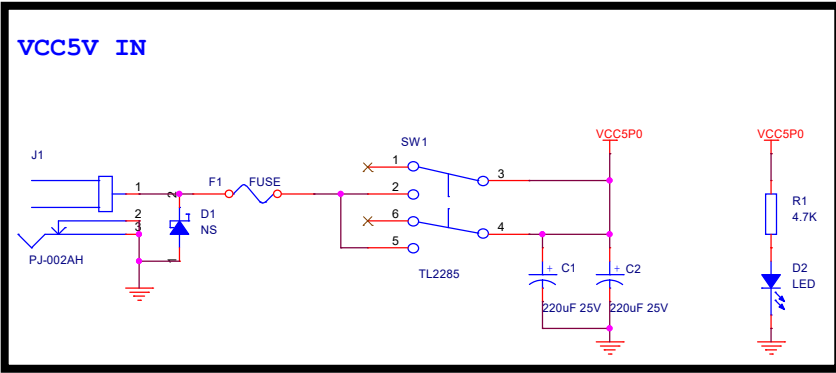
B

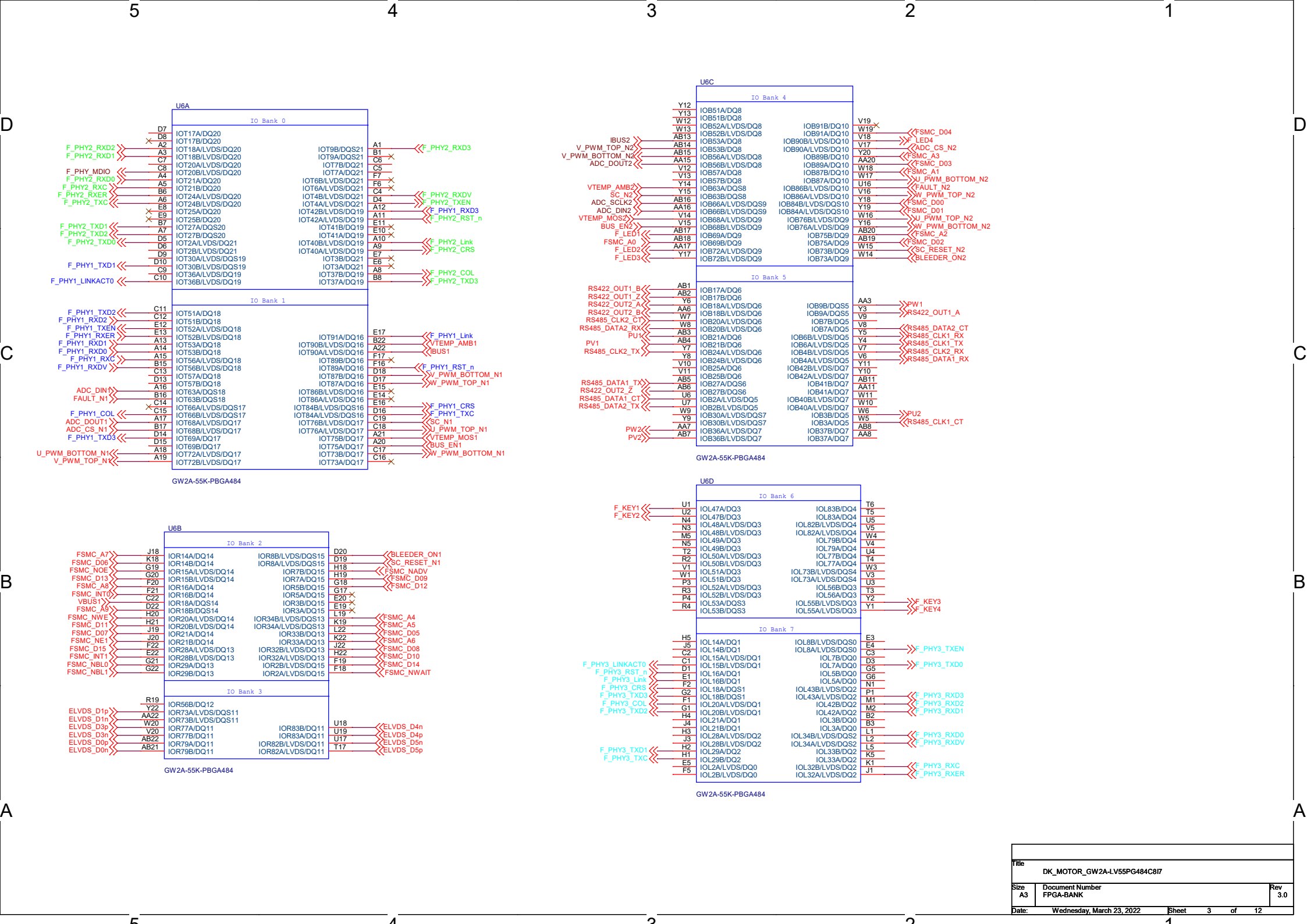
B

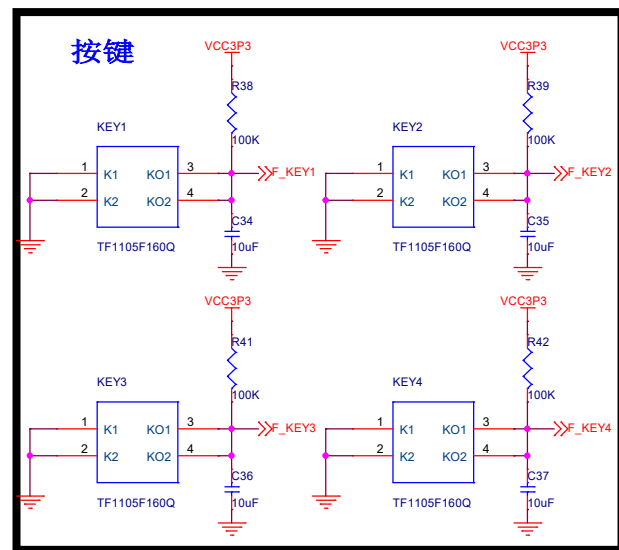
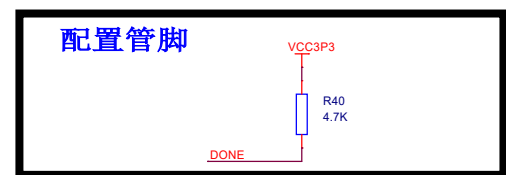
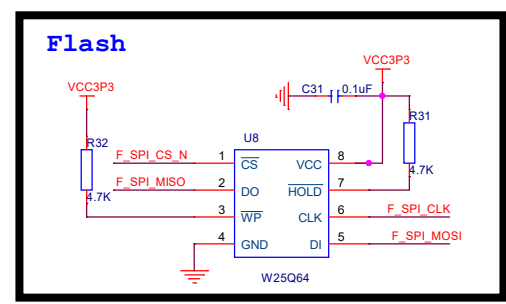
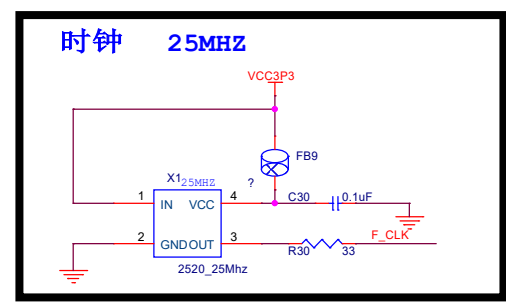
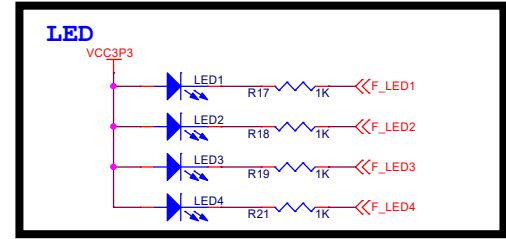
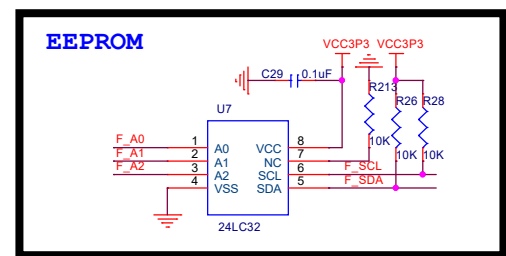
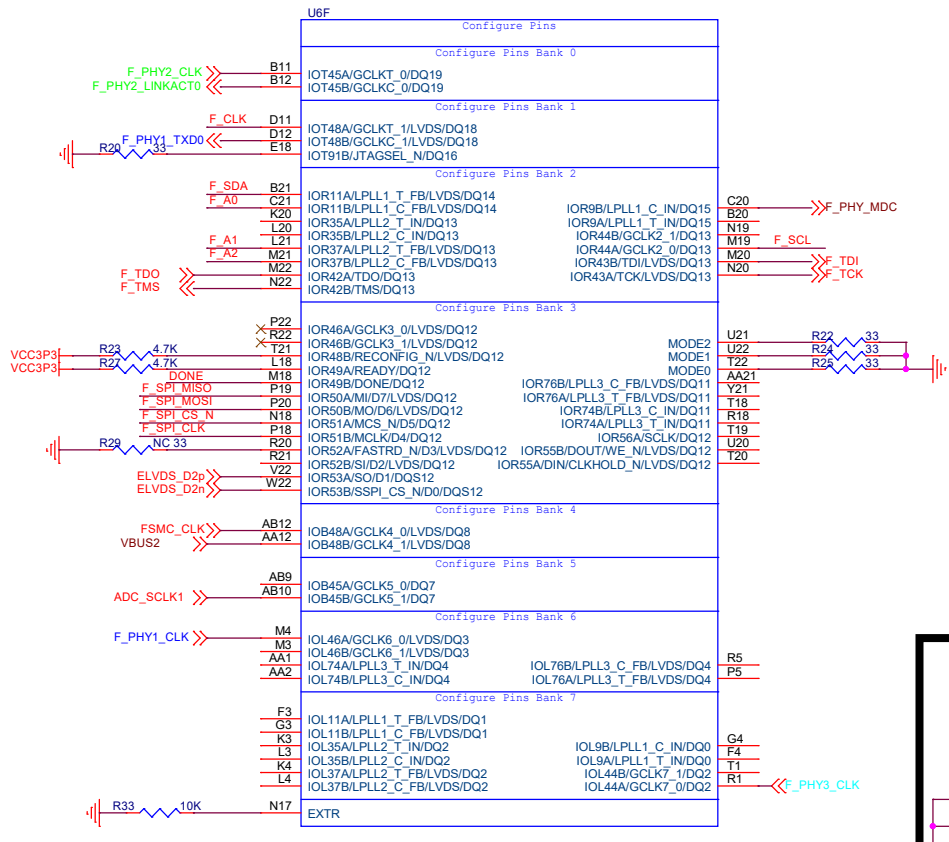
A

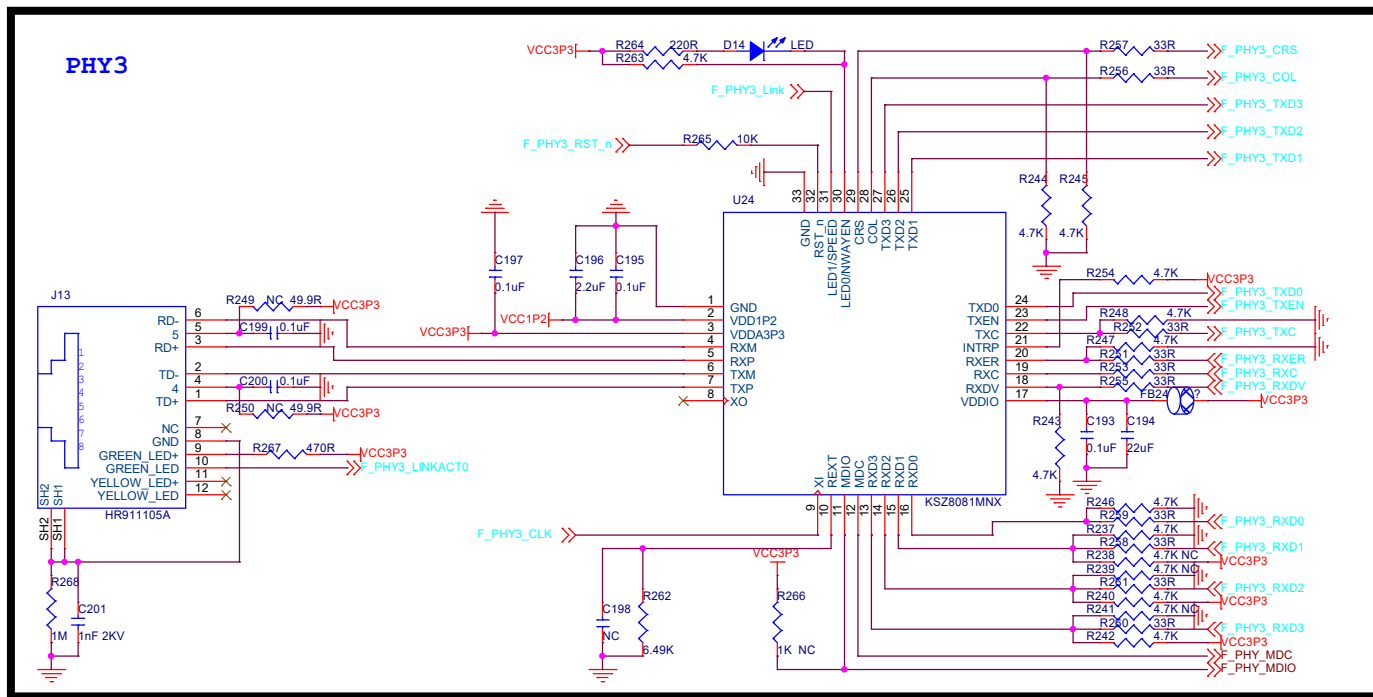
A

SCHEMATIC	CONTENT	PAGE
PAGE01	COVER PAGE	01
PAGE02-POWER	5V to 1V,1.2V,3.3V	02
PAGE03-FPGA-BANK	GW2A55-PBGA484	03
PAGE04-FPGA-CONFIG	GW2A55-PBGA484	04
PAGE05-FPGA-POWER	GW2A55-PBGA484	05
PAGE06-PHY	PHY1 , PHY2	06
PAGE07-PHY	PHY3	07
PAGE08-MOTOR1	RS422 , RS486	08
PAGE09-MOTOR2	RS422 , RS486	09
PAGE10-GPIO	GPIO , FSMC , PWM	10
PAGE11-USB-JTAG	USB-JTAG	11
PAGE12-ELVDS	ELVDS	12



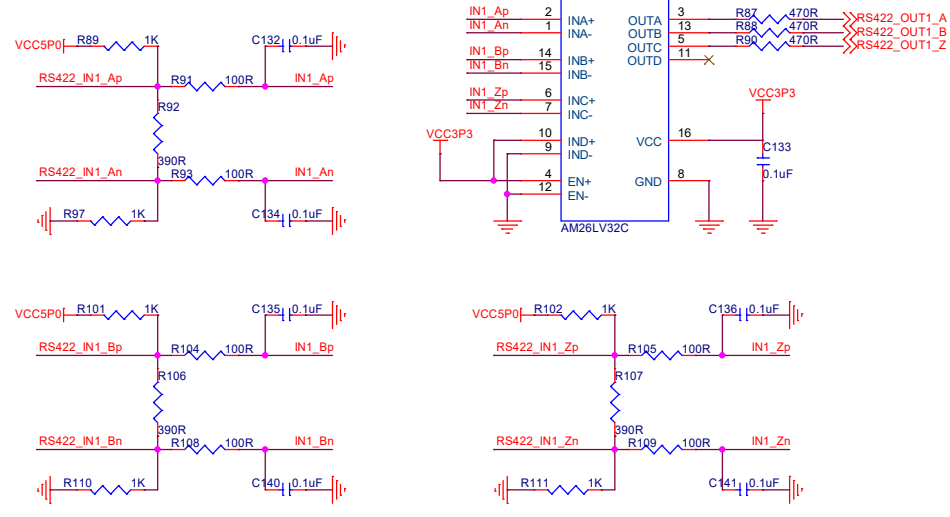




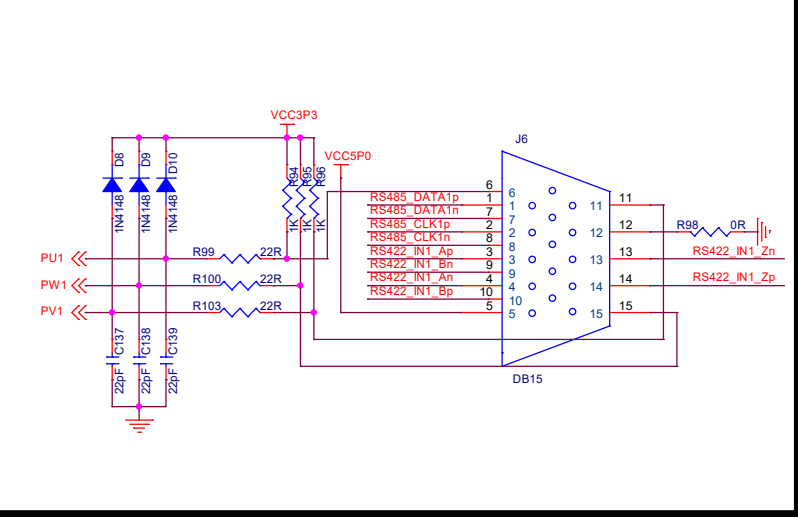


File		
DK_MOTOR_GW2A-LV55PG484C817		
Size	Document Number	Rev
A3	PHY3	3.0
Date:	Wednesday, March 23, 2022	Sheet 7 of 12

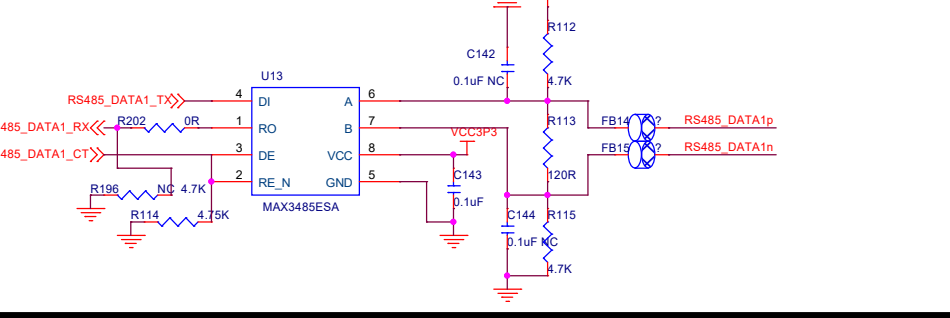
RS422 1



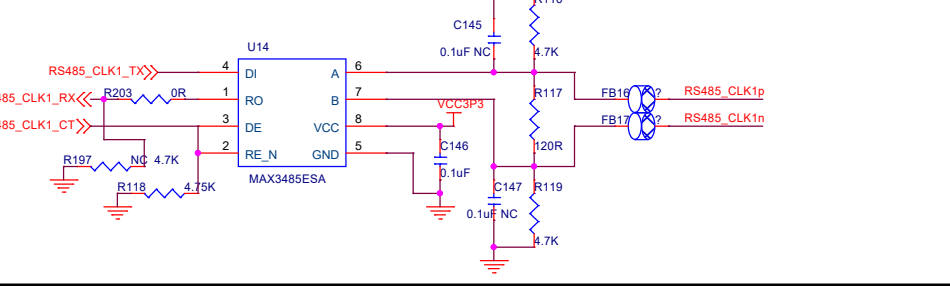
MOTOR1

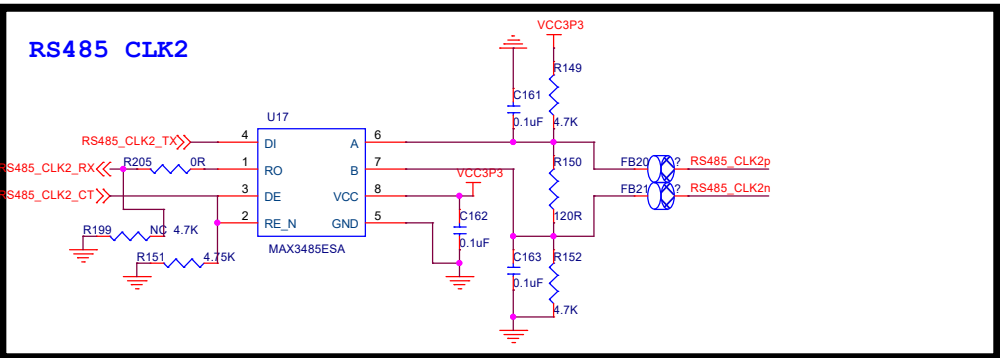
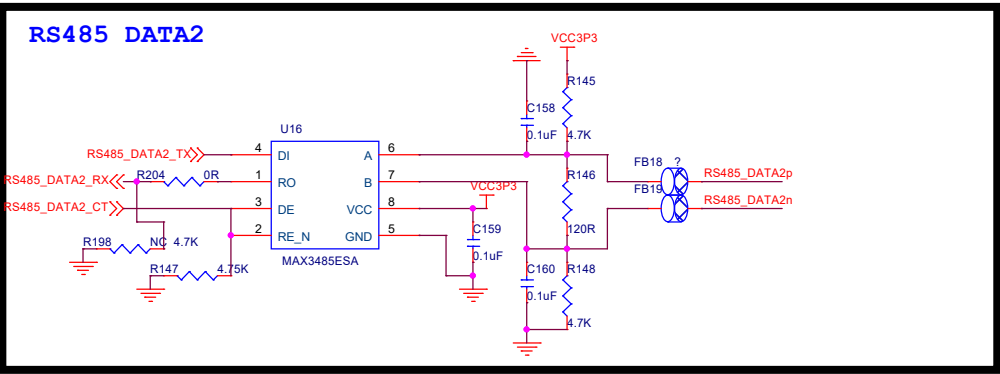
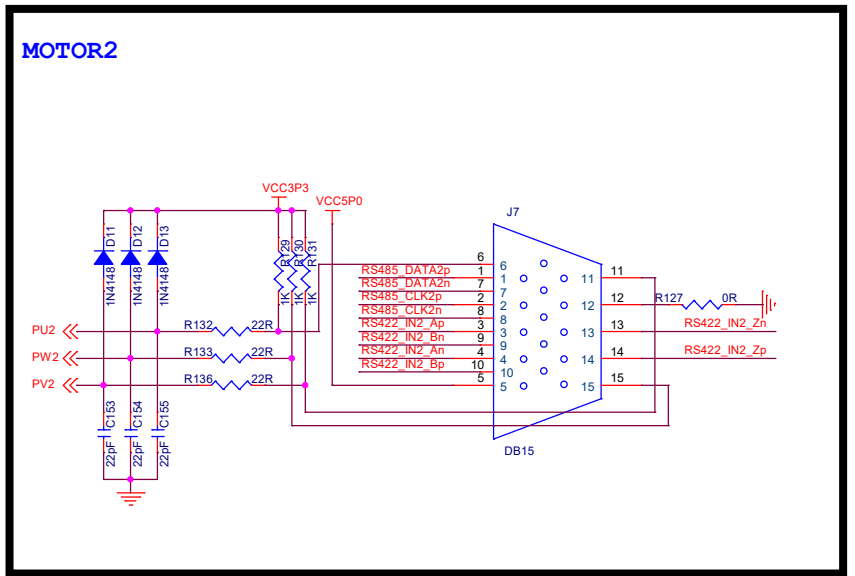
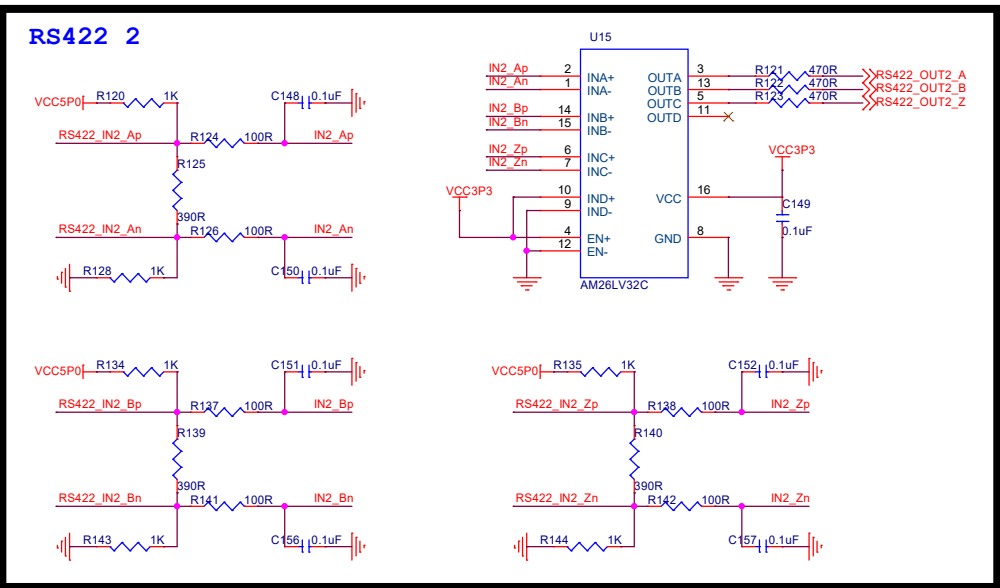


RS485 DATA1

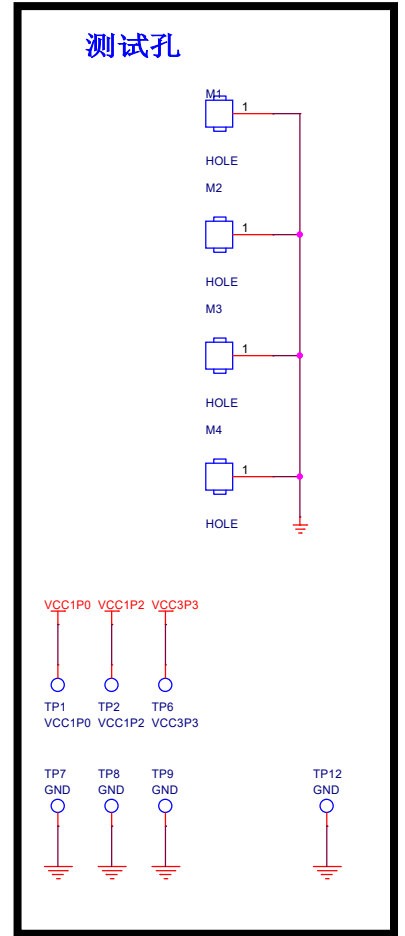
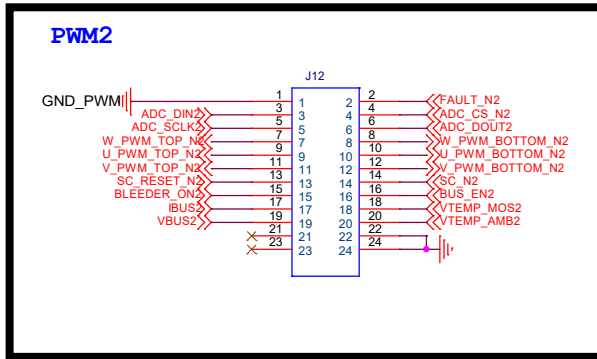
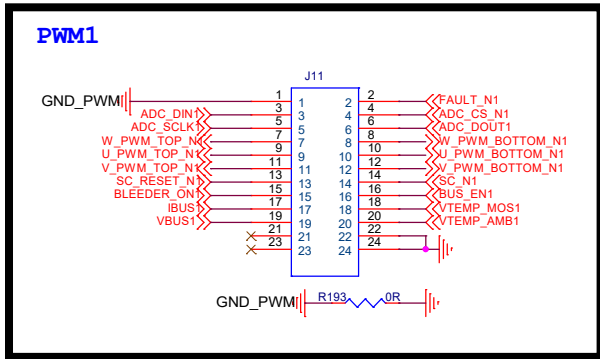
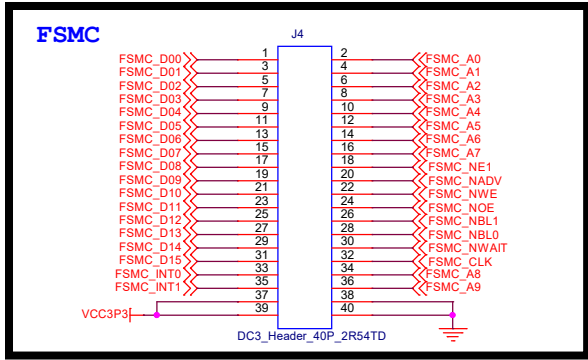


RS485 CLK1

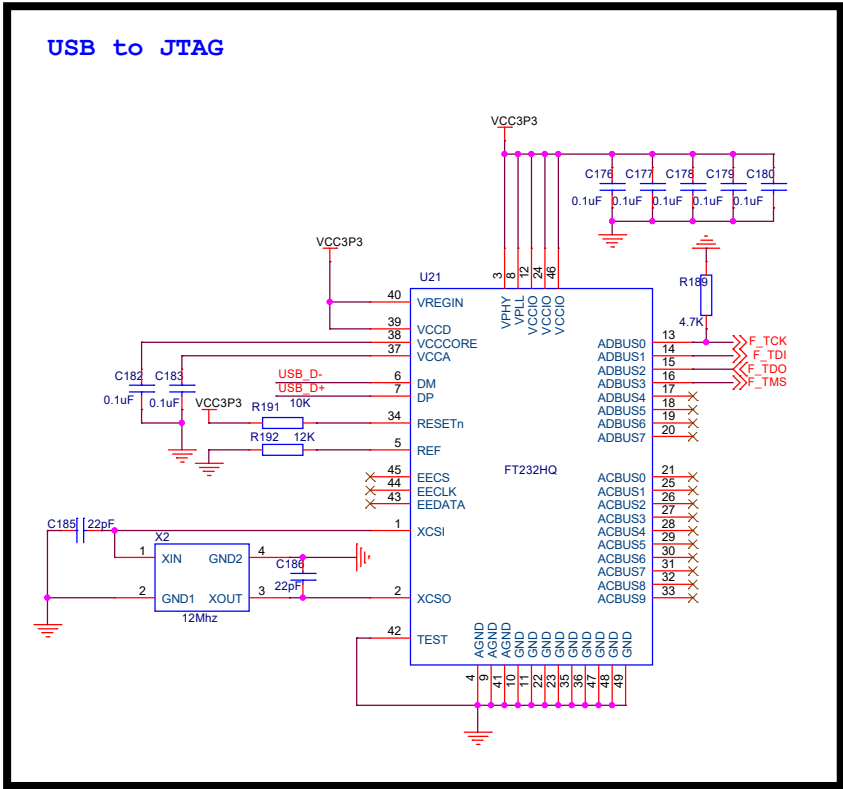




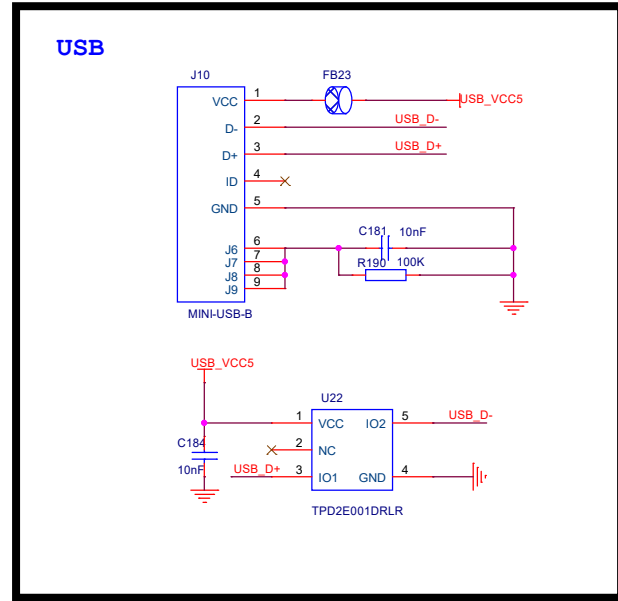
Title		
DK_MOTOR_GW2A-LV55PG484C817		
Size	Document Number	Rev
A3	MOTOR2	3.0
Date:	Wednesday, March 23, 2022	Sheet 09 of 12



USB to JTAG



USB



5

4

3

2

1

D

D

C

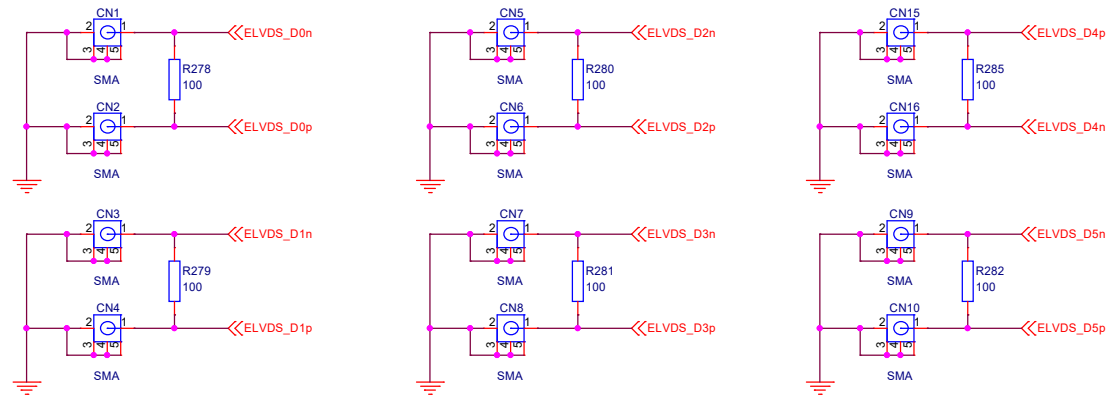
C

B

B

A

A



File		
DK_MOTOR_GW2A-LV55PG484C817		
Size	Document Number	Rev
A3	ELVDS	3.0
Date:	Wednesday, March 23, 2022	Sheet 12 of 12