

5

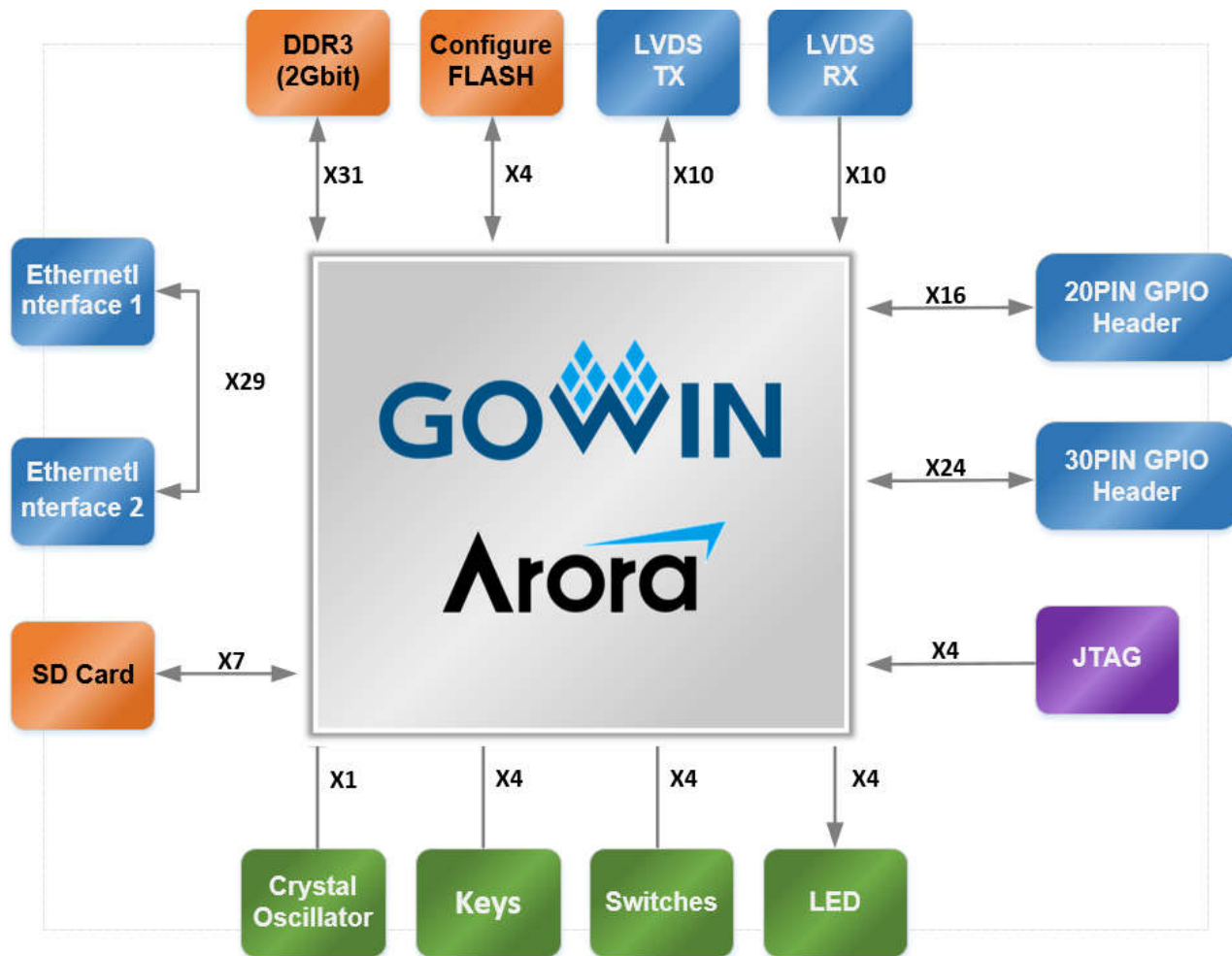
4

3

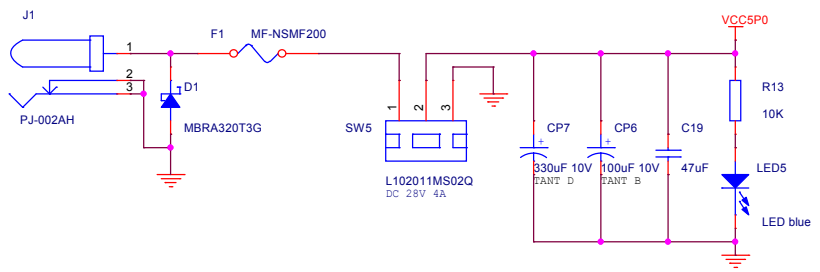
2

1

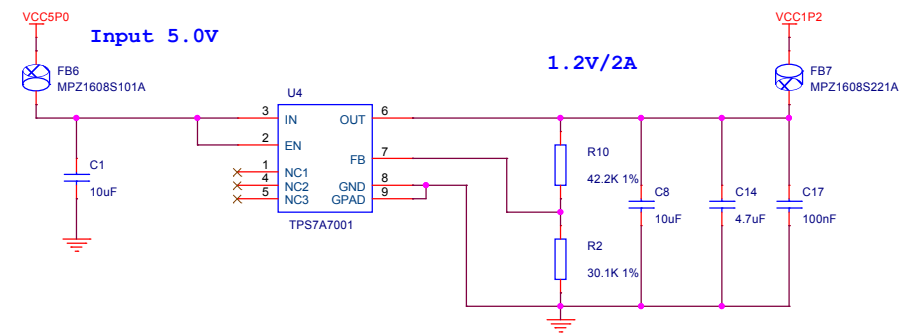
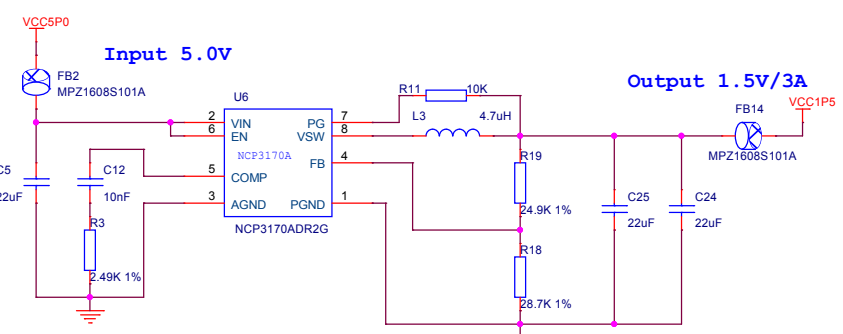
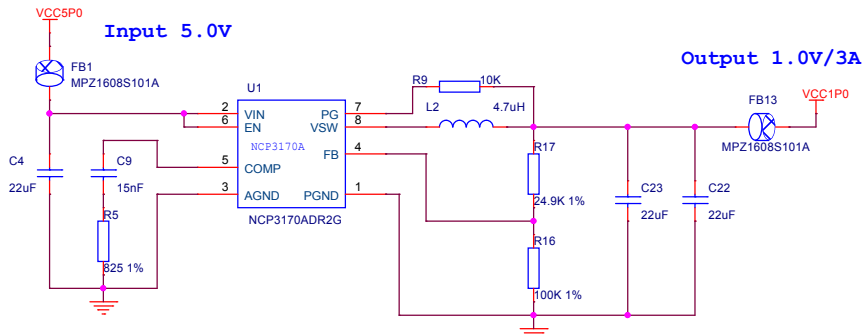
| SCHEMATIC | CONTENT | PAGE |
|------------|--|------|
| Power | 5V, 3.3V, 2.5V, 1.5V, 1.2V, 1.0V, 0.75V | 3 |
| Bank Power | Bank 0_1 : ADJ (3.3V, 2.5V) Bank 2_3 : 3.3V Bank 4_5_6 : 1.5V Bank 7 : ADJ (3.3V, 2.5V, 1.2V) | 4 |
| Bank0_1 | LVDS, GPIO, CLK, LED | 5 |
| Bank2 | PHY1, JTAG, SMA | 6 |
| Bank3 | PHY2, Flash, SD Card, MODE, DONE, RECONFIG, READY, RST | 7 |
| Bank4_5_6 | DDR3, KEY, SW | 8 |
| Bank7 | GPIO_3.3V, Backup Power | 9 |



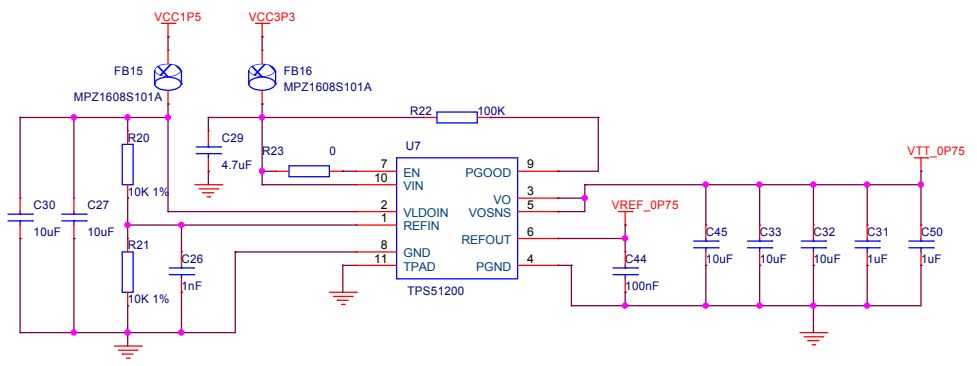
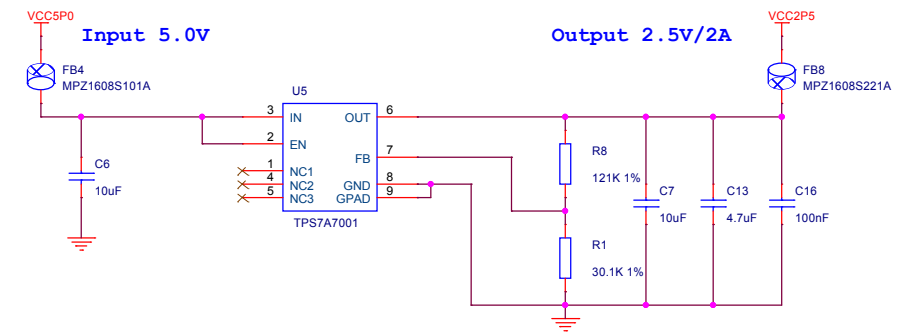
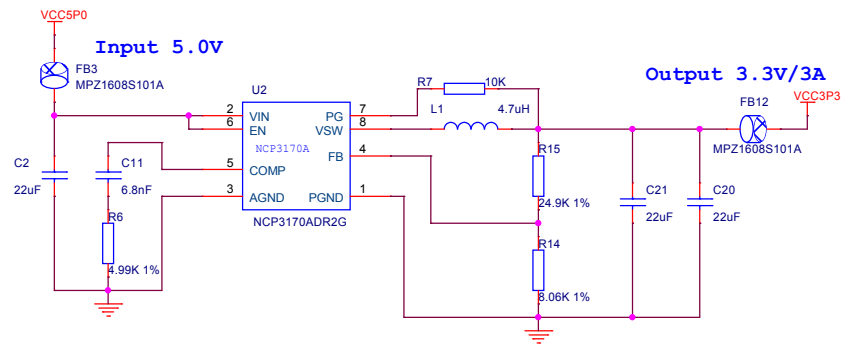
5



4



3



2

1

